

T-thrust screws

with fixed or sliding T-bar, DIN 6304 or DIN 6306


Material:

Steel.

Version:

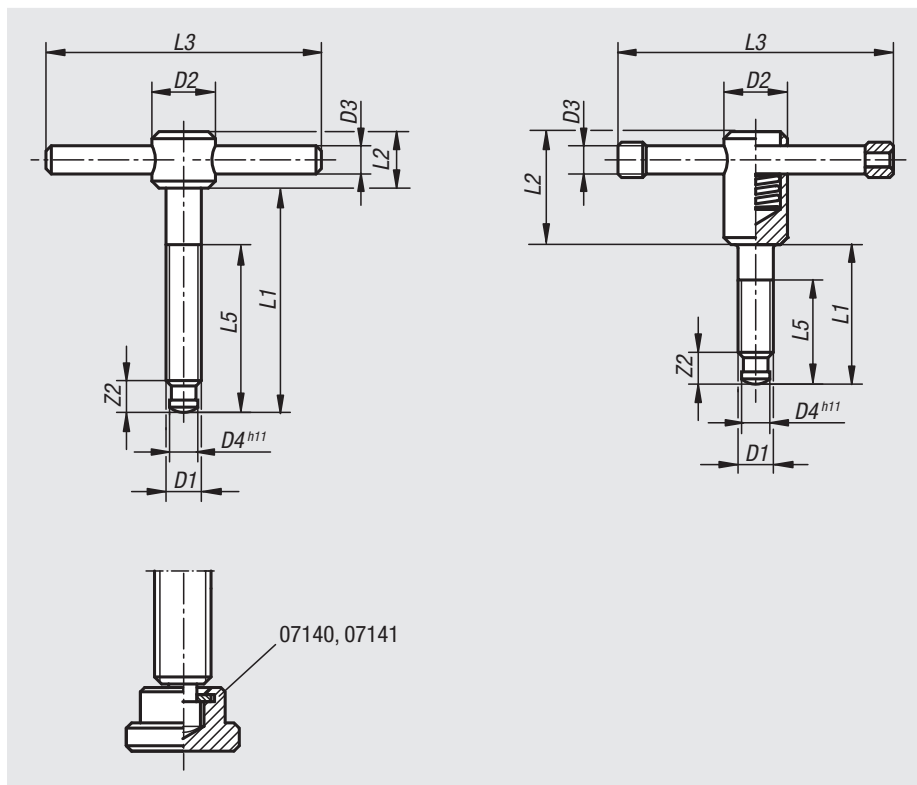
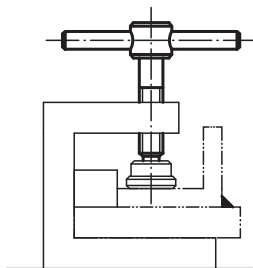
Black oxidised. Thrust pin hardened.

Sample order:

nlm 06150-116X90

Note:

By the thrust screws with sliding T-bar the bar is held in any desired position by a spring in the body. End stops prevent the bar falling out. By the fixed handles the T-bar is pressed in.



Order No.	Version 1	D1	D2	D3	D4	L1	L2	L3	L5	Z2
06150-106X40	fixed t-bar	M6	12	5	4,5	40	10	50	30	6
06150-106X50	fixed t-bar	M6	12	5	4,5	50	10	50	40	6
06150-108X50	fixed t-bar	M8	14	6	6	50	12	60	35	7,5
06150-108X60	fixed t-bar	M8	14	6	6	60	12	60	45	7,5
06150-110X60	fixed t-bar	M10	18	8	8	60	14	80	40	9
06150-110X70	fixed t-bar	M10	18	8	8	70	14	80	50	9
06150-112X70	fixed t-bar	M12	20	10	8	70	18	100	50	10
06150-112X80	fixed t-bar	M12	20	10	8	80	18	100	60	10
06150-116X75	fixed t-bar	M16	24	12	12	75	20	120	55	12
06150-116X90	fixed t-bar	M16	24	12	12	90	20	120	70	12
06150-116X110	fixed t-bar	M16	24	12	12	110	20	120	90	12
06150-120X75	fixed t-bar	M20	30	16	15,5	75	28	140	55	14
06150-120X90	fixed t-bar	M20	30	16	15,5	90	28	140	70	14
06150-120X110	fixed t-bar	M20	30	16	15,5	110	28	140	90	14
06150-210X40	sliding t-bar	M10	18	8	8	40	32	80	30	9
06150-210X50	sliding t-bar	M10	18	8	8	50	32	80	40	9
06150-212X50	sliding t-bar	M12	20	10	8	50	35	100	40	10
06150-212X60	sliding t-bar	M12	20	10	8	60	35	100	50	10
06150-216X55	sliding t-bar	M16	24	13	12	55	40	120	45	12
06150-216X70	sliding t-bar	M16	24	13	12	70	40	120	60	12
06150-216X90	sliding t-bar	M16	24	13	12	90	40	120	80	12
06150-220X55	sliding t-bar	M20	30	16	15,5	55	45	140	45	14
06150-220X70	sliding t-bar	M20	30	16	15,5	70	45	140	60	14
06150-220X90	sliding t-bar	M20	30	16	15,5	90	45	140	80	14