

## Wing grips

for hexagon socket screws



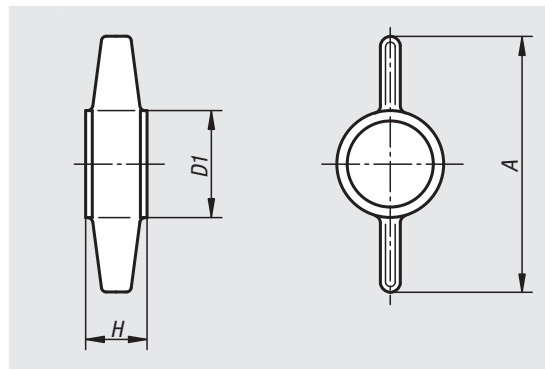
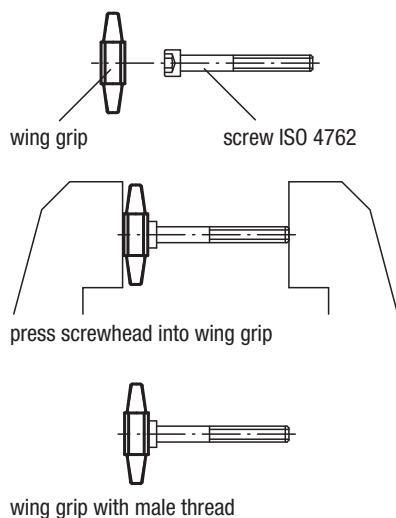
**Material:**  
Thermoplastic.

**Version:**  
Black, grey or red.

**Sample order:**  
nlm 06133-0506 (wing grip colour red)  
Colour code:  
5 = grey  
6 = red

**Note:**  
Suitable screws ISO 4762.

Δ Add the desired grip colour here. No colour code is required for black grips.



Order No.	A	D1	H	for cap screws
06133-050Δ	26	12	7	M5
06133-060Δ	30	13,5	8	M6
06133-080Δ	38	17	10	M8
06133-100Δ	45	20	12,5	M10

## Disc grips

for hexagon socket screws



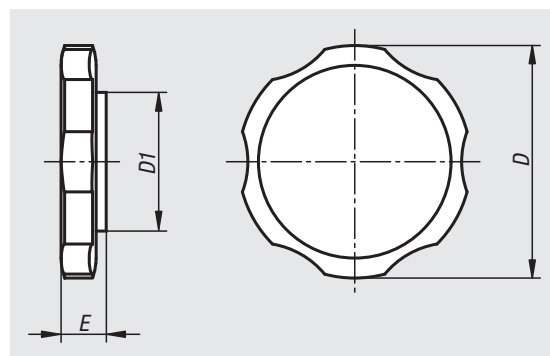
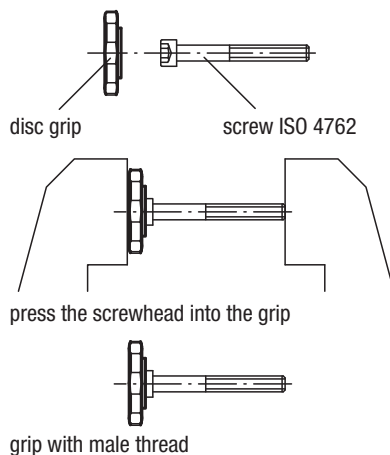
**Material:**  
Thermoplastic.

**Version:**  
Black or grey

**Sample order:**  
nlm 06134-0805 (disc grip colour grey)  
Colour Code:  
5 = grey

**Note:**  
Suitable screws see ISO 4762.

Δ Add the desired grip colour here. No colour code is required for black grips



Order No.	D	D1	E	for cap screws
06134-060Δ	38	14	13	M6
06134-080Δ	38	17	11,5	M8
06134-100Δ	38	20	13	M10