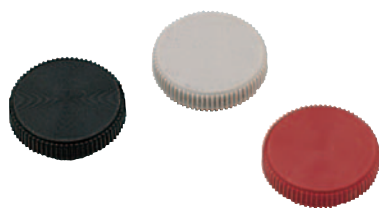


Knurled heads

for hexagon socket screws



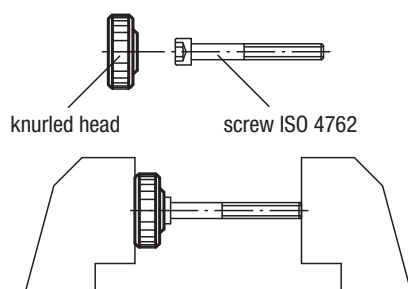
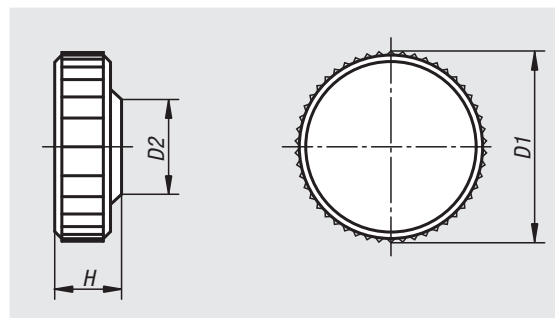
Material:
Thermoplastic.

Version:
Black, grey or red.

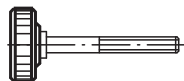
Sample order:
nlm 06132-0506 (knurled head colour red)
Colour Code:
5 = grey
6 = red

Note:
Suitable screws ISO 4762.

Δ Add the desired colour code here.
No colour code is required for black.



press the screw into the head



knurled head with male thread

Order No.	D1	D2	H	for cap screws
06132-030Δ	9,5	8,3	4,5	M3
06132-040Δ	13	9,6	5	M4
06132-050Δ	16	11,5	6,5	M5
06132-060Δ	19	14	7,5	M6
06132-061Δ	26	13	8	M6
06132-080Δ	26	16	10	M8