

Knurled nuts high

steel and stainless steel, DIN 466



Material:

Steel 1.0718.

Stainless steel 1.4305.

Version:

Steel black oxidised.

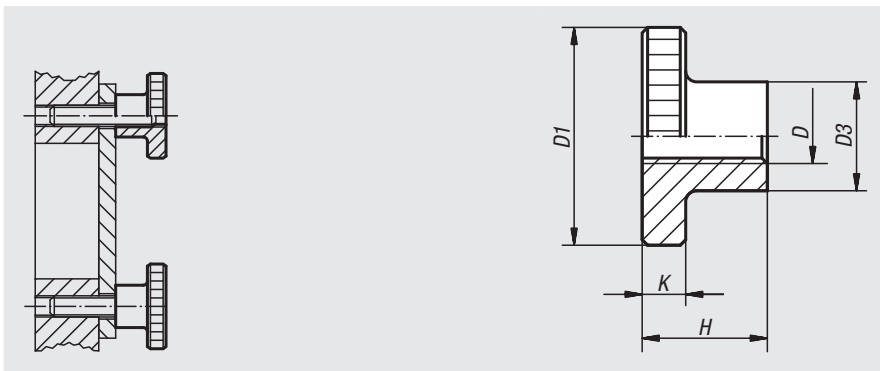
Stainless steel bright.

Sample order:

nIm 06110-04

Note:

M12 high knurled nuts are not included in the official standards sheet.



Order No. stainless steel	Order No. steel	D	D1	D3	H	K
06110-042	06110-04	M4	16	8	9,5	3,5
06110-052	06110-05	M5	20	10	11,5	4
06110-062	06110-06	M6	24	12	15	5
06110-082	06110-08	M8	30	16	18	6
06110-122	06110-12	M12	36	20	23	8
06110-102	06110-10	M10	36	20	23	8

Knurled nuts flat

steel and stainless steel, DIN 467



Material:

Steel 1.0718.

Stainless steel 1.4305.

Version:

Steel black oxidised.

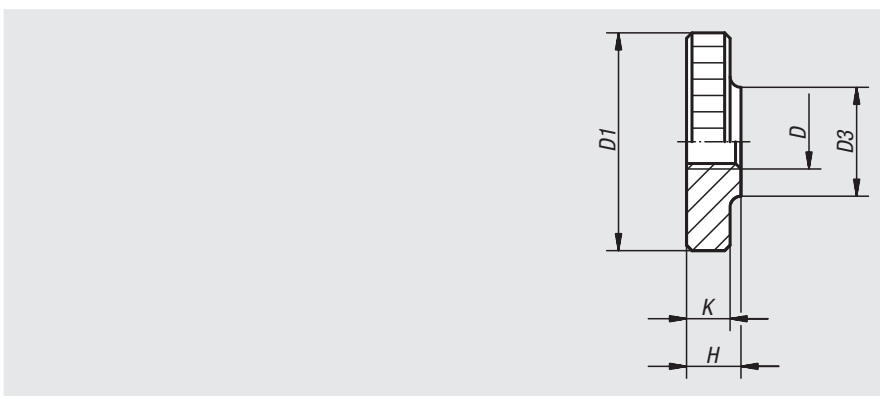
Stainless steel bright.

Sample order:

nIm 06120-042

Note:

M12 flat knurled nuts are not included in the official standards sheet.



Order No. stainless steel	Order No. steel	D	D1	D3	H	K
06120-042	06120-04	M4	16	8	4	3,5
06120-052	06120-05	M5	20	10	5	4
06120-062	06120-06	M6	24	12	6	5
06120-082	06120-08	M8	30	16	8	6
06120-122	06120-12	M12	36	20	10	8
06120-102	06120-10	M10	36	20	10	8