

Knurled knobs

**Material:**

Thermoset PF 31, black.

Screw, steel.

Tapped bush, steel or brass.

Version:

Screw, electro zinc-plated.

Tapped bush, electro zinc-plated or bright brass.

Sample order:

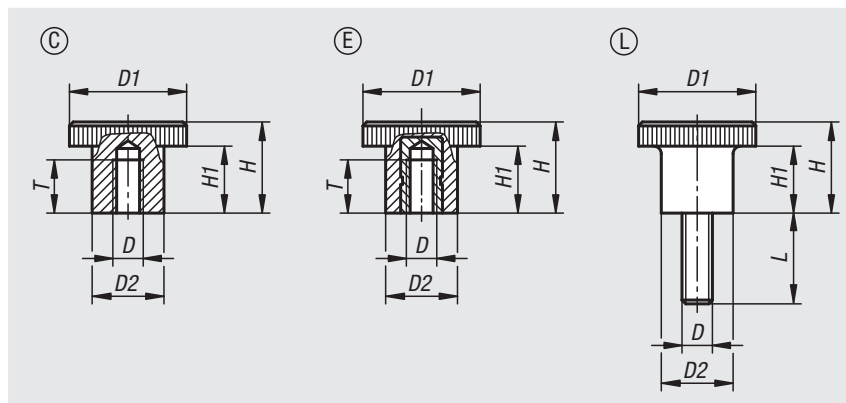
nlm 06097-302205X10

Drawing reference:

Form C: tapped blind hole

Form E: tapped bush

Form L: external thread



Knurled knobs with internal thread

Order No.	Form	Component material	D	D1	D2	H	H1	T
06097-102206	C	plastic	M6	22	12	13	6	7,5
06097-102606	C	plastic	M6	26	17	20	14	9
06097-212205	E	brass	M5	22	12	13	6	6
06097-202606	E	steel	M6	26	17	20	14	10
06097-202608	E	steel	M8	26	17	20	14	12

Knurled knobs with external thread

Order No.	Form	Component material	D	D1	D2	H	H1	L
06097-302206X	L	steel	M6	22	12	13	6	30/10/15/20
06097-302606X	L	steel	M6	26	15	13	6	15/30/10/20
06097-302205X	L	steel	M5	22	12	13	6	15/10/20
06097-302608X	L	steel	M8	26	15	13	6	20/15/30