

Knurled knobs


Material:

Grip black grey thermoplastic.
 Bush brass or stainless steel 1.4305.
 Screw steel 5.8 or stainless steel 1.4305.

Version:

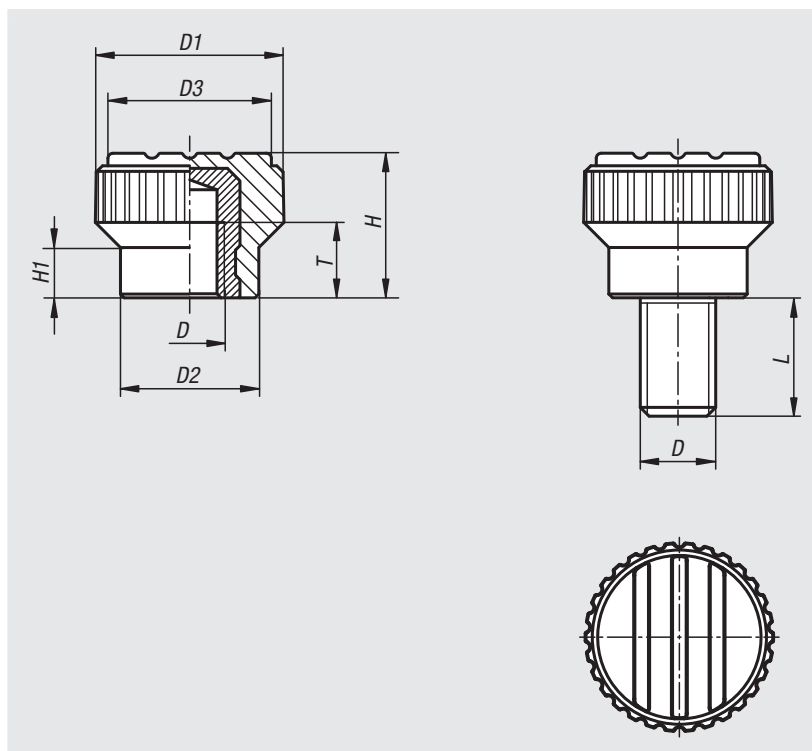
Steel trivalent blue passivated.
 Stainless steel, bright.

Sample order:

nIm 06094-005X12

On request:

Other colours.



Knurled knobs with internal thread

Order No.	Component material	D	D1	D2	D3	H	H1	T
06094-003	brass	M3	15	11	13	11,5	4,3	4,5
06094-004	brass	M4	15	11	13	11,5	4,3	6
06094-005	brass	M5	15	11	13	11,5	4,3	6
06094-0003	stainless steel	M3	15	11	13	11,5	4,3	4,5
06094-0004	stainless steel	M4	15	11	13	11,5	4,3	6
06094-0005	stainless steel	M5	15	11	13	11,5	4,3	6

Knurled knobs with external thread

Order No.	Component material	D	D1	D2	D3	H	H1	L
06094-003X	steel	M3	15	11	13	11,5	4,3	8/10/12/15
06094-004X	steel	M4	15	11	13	11,5	4,3	8/10/12/15
06094-005X	steel	M5	15	11	13	11,5	4,3	10/12/15/20
06094-006X	steel	M6	15	11	13	11,5	4,3	10/15/20/25
06094-0003X	stainless steel	M3	15	11	13	11,5	4,3	8/10/12/15
06094-0004X	stainless steel	M4	15	11	13	11,5	4,3	8/10/12/15
06094-0005X	stainless steel	M5	15	11	13	11,5	4,3	10/12/15/20
06094-0006X	stainless steel	M6	15	11	13	11,5	4,3	10/15/20/25