

## Knurled knobs

**Material:**

Black thermoplastic.

Bush and screw 5.8 steel or 1.4305 stainless steel.

**Version:**

Steel trivalent blue passivated.

Stainless steel, bright.

**Sample order:**

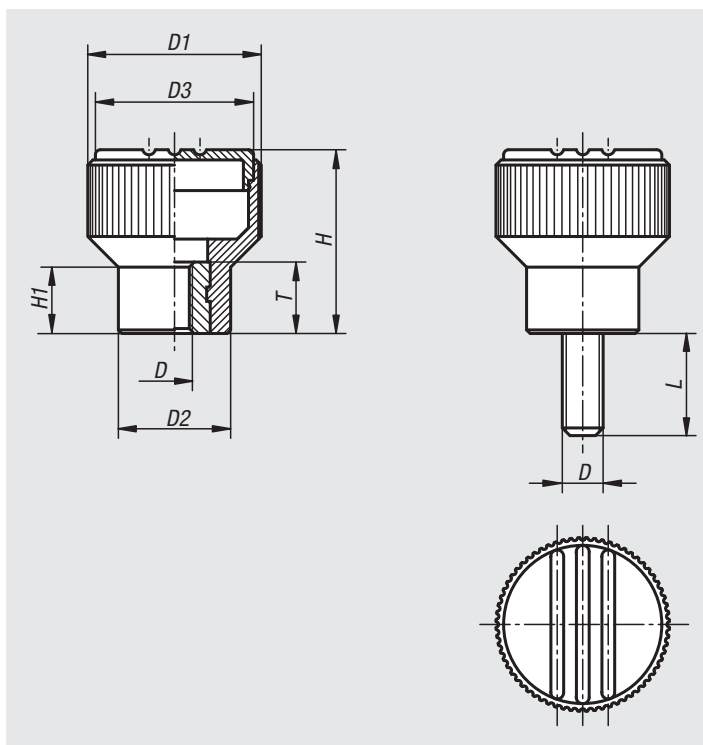
nlm 06092-01056X20








(Cap colour traffic red. Include length L)

**Note:**

Δ Add the desired cap colour here.

No colour code is required for black grey caps.



black grey  RAL 7021	pure orange Δ = 1  RAL 2004	signal green Δ = 2  RAL 6032	traffic blue Δ = 3  RAL 5017
light grey Δ = 5  RAL 7035	traffic red Δ = 6  RAL 3020	colza yellow Δ = 7  RAL 1021	

## Knurled knobs with internal thread

Order No. stainless steel	Order No. steel	D	D1	D2	D3	H	H1	T
06092-0104Δ	06092-104Δ	M4	21	14	19	22	8	10
06092-0105Δ	06092-105Δ	M5	21	14	19	22	8	10
06092-0106Δ	06092-106Δ	M6	21	14	19	22	8	10
06092-0208Δ	06092-208Δ	M8	26	18	23	26	9,5	14
06092-0308Δ	06092-308Δ	M8	34	22	31	36	13	14
06092-0310Δ	06092-310Δ	M10	34	22	31	36	13	14

## Knurled knobs with external thread

Order No. steel	Order No. stainless steel	D	D1	D2	D3	H	H1	L
06092-105ΔX	06092-0105ΔX	M5	21	14	19	22	8	10/12/15/20/25
06092-106ΔX	06092-0106ΔX	M6	21	14	19	22	8	15/20/25/30
06092-208ΔX	06092-0208ΔX	M8	26	18	23	26	9,5	20/25/30/40
06092-310ΔX	06092-0310ΔX	M10	34	22	31	36	13	20/30/40

## Knurled knobs antistatic



### Material:

Thermoplastic, graphite black.  
Bush or screw steel 5.8.

### Version:

Screw blue passivated.

### Sample order:

nIm 06092-1110624

### Application:

Sensitive electrical or electronic equipment, components and devices (ESD sensitive elements) may be damaged or destroyed by electrostatic discharges (ESD) in the immediate vicinity.

Electrostatic discharges can come from people or through handling ESD sensitive components (e.g. during production, assembly, transport, storage etc).

Electrically conductive products which conform to DIN EN 61340-5-1 are essential within electronic environments to prevent an electrostatic discharge.

These products can be used for ESD applications or in ESD protection areas (EPA) in accordance with DIN EN 61340-5-1.

### Safety:

These ESD products can also be used for devices, components and protection systems in areas with high risk of explosion.

Use of these ESD products prevents the occurrence of electrostatic spark discharges, eliminating the potential ignition of gases and dusts which could lead to explosions in enclosed spaces.

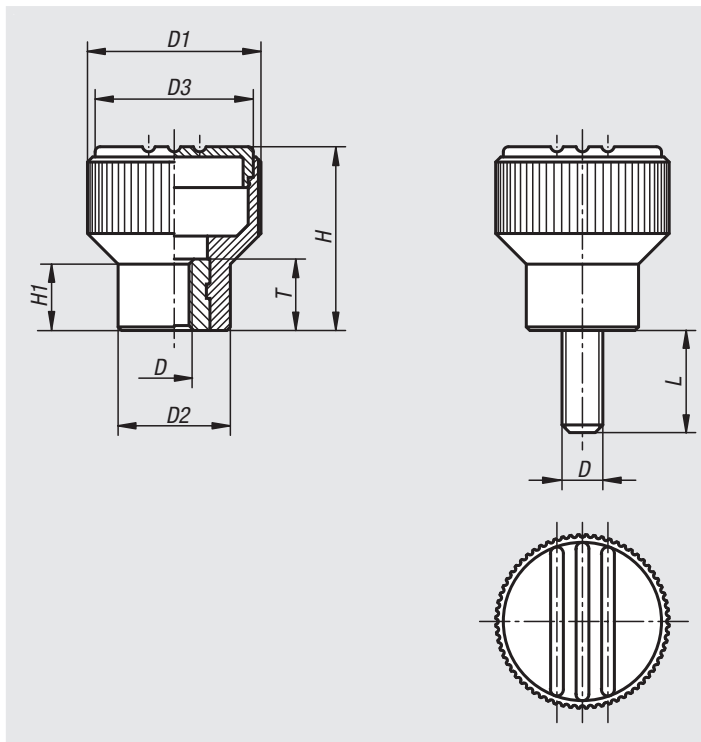
Manufacturers and operators must use and conform to ATEX directives for the protection of persons working in areas with high risk of explosion.

These ESD products are certified by TÜV-Süd in relation to their electrical discharge capability.

### Target groups:

Device manufacturers required to conform to ATEX product directive 2014/34/EU.

Operators required to conform to ATEX worker protection directive 1999/92/EC.



### Knurled knobs antistatic with internal thread

Order No.	D	D1	D2	D3	H	H1	T
06092-1110624	M6	21	14	19	22	8	10

### Knurled knobs antistatic with external thread

Order No.	D	D1	D2	D3	H	H1	L
06092-1110624X15	M6	21	14	19	22	8	15