

## Knurled screws high form

steel and stainless steel, DIN 464



### Material:

Steel 1.0718.

Stainless steel 1.4305.

### Version:

Steel, black oxidised.

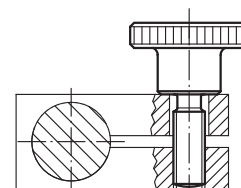
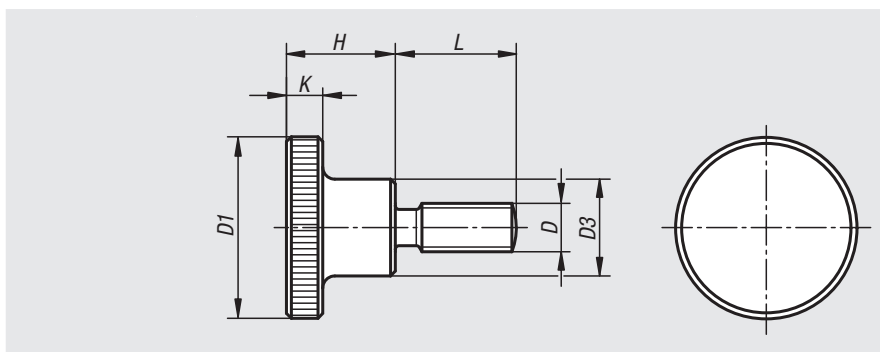
Stainless steel, bright.

### Sample order:

nIm 06090-06X20 (include length L)

### Note:

\* Threads with these lengths have no undercut at the shoulder.



Order No. stainless steel	Order No. steel	D	D1	D3	H	K	L
06090-042X	06090-04X	M4	16	8	9,5	3,5	10/16/20*
06090-052X	06090-05X	M5	20	10	11,5	4	10/16/20
06090-062X	06090-06X	M6	24	12	15	5	10/16/20/25*
06090-082X	06090-08X	M8	30	16	18	6	16/20/25/30*
06090-102X	06090-10X	M10	36	20	23	8	20/25/30/40*

## Knurled thumb screws

plastic



### Material:

Black thermoset PF 31.

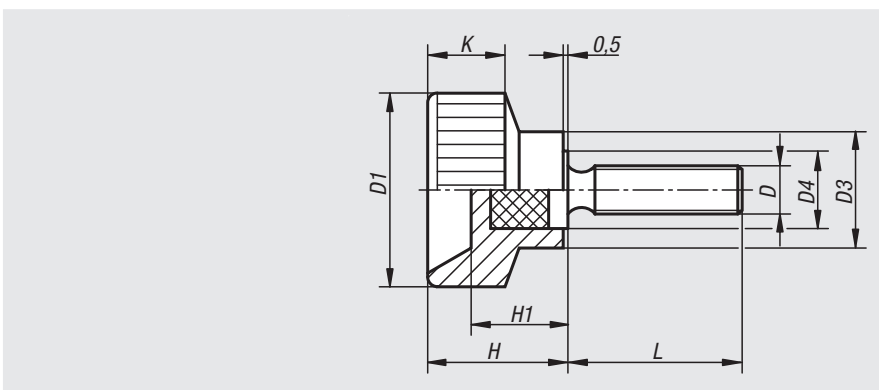
Screw steel.

### Version:

Screw electro zinc-plated.

### Sample order:

nIm 06091-05X25 (include length L)



Order No.	D	D1	D3	D4	H	H1	K	L
06091-04X	M4	18	10	7	13,5	9	8	15/20
06091-05X	M5	20	12	8	14,5	10	8	10/18/25
06091-06X	M6	24	13	10	15	9,5	9	20/28
06091-08X	M8	30	15	12	18	11	11	25/32
06091-10X	M10	35	18	14	18,5	11	12	30