

Item description/product images



Description

Material:

Steel or stainless steel (A1).

Version:

Steel grade 5.8, bright;

Stainless steel, bright.

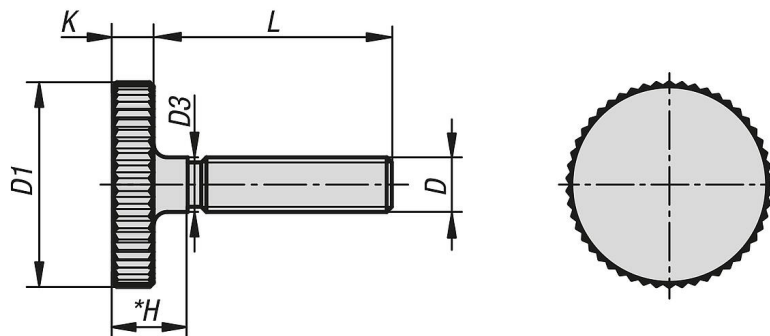
Note:

Supplied items meet the standards DIN 653 or DIN 653-A.

The steel knurled screws may have an oxide film, causing the colour to change to black.

*Knurled screw with no H dimension have no shank.

Drawings



Overview of items

Order No.	Main material	D	D1	D3	H	K	L
06089-03X10	steel	M3	12	3	-	2,5	10
06089-03X12	steel	M3	12	3	4,5	2,5	12
06089-03X16	steel	M3	12	3	4,5	2,5	16
06089-04X8	steel	M4	16	4	-	3,5	8
06089-04X10	steel	M4	16	4	-	3,5	10
06089-04X12	steel	M4	16	4	-	3,5	12
06089-04X16	steel	M4	16	4	6,5	3,5	16
06089-04X20	steel	M4	16	4	6,5	3,5	20
06089-05X10	steel	M5	20	5	-	4	10
06089-05X12	steel	M5	20	5	-	4	12
06089-05X16	steel	M5	20	5	-	4	16
06089-05X20	steel	M5	20	5	7	4	20
06089-05X25	steel	M5	20	5	7	4	25
06089-05X30	steel	M5	20	5	7	4	30
06089-06X12	steel	M6	24	6	-	5	12
06089-06X16	steel	M6	24	6	-	5	16
06089-06X20	steel	M6	24	6	9	5	20
06089-06X25	steel	M6	24	6	9	5	25
06089-06X30	steel	M6	24	6	9	5	30
06089-06X35	steel	M6	24	6	9	5	35
06089-06X40	steel	M6	24	6	9	5	40
06089-08X16	steel	M8	30	8	-	6	16
06089-08X20	steel	M8	30	8	-	6	20
06089-08X25	steel	M8	30	8	11	6	25
06089-08X30	steel	M8	30	8	11	6	30

Overview of items

Order No.	Main material	D	D1	D3	H	K	L
06089-08X35	steel	M8	30	8	11	6	35
06089-08X40	steel	M8	30	8	11	6	40
06089-10X20	steel	M10	36	10	-	8	20
06089-10X25	steel	M10	36	10	-	8	25
06089-10X30	steel	M10	36	10	14	8	30
06089-10X35	steel	M10	36	10	14	8	35
06089-10X40	steel	M10	36	10	14	8	40
06089-032X10	stainless steel	M3	12	3	-	2,5	10
06089-032X12	stainless steel	M3	12	3	4,5	2,5	12
06089-032X16	stainless steel	M3	12	3	4,5	2,5	16
06089-042X8	stainless steel	M4	16	4	-	3,5	8
06089-042X10	stainless steel	M4	16	4	-	3,5	10
06089-042X12	stainless steel	M4	16	4	-	3,5	12
06089-042X16	stainless steel	M4	16	4	6,5	3,5	16
06089-042X20	stainless steel	M4	16	4	6,5	3,5	20
06089-052X10	stainless steel	M5	20	5	-	4	10
06089-052X12	stainless steel	M5	20	5	-	4	12
06089-052X16	stainless steel	M5	20	5	-	4	16
06089-052X20	stainless steel	M5	20	5	7	4	20
06089-052X25	stainless steel	M5	20	5	7	4	25
06089-052X30	stainless steel	M5	20	5	7	4	30
06089-062X12	stainless steel	M6	24	6	-	5	12
06089-062X16	stainless steel	M6	24	6	-	5	16
06089-062X20	stainless steel	M6	24	6	9	5	20
06089-062X25	stainless steel	M6	24	6	9	5	25
06089-062X30	stainless steel	M6	24	6	9	5	30
06089-062X35	stainless steel	M6	24	6	9	5	35
06089-062X40	stainless steel	M6	24	6	9	5	40
06089-082X16	stainless steel	M8	30	8	-	6	16
06089-082X20	stainless steel	M8	30	8	-	6	20
06089-082X25	stainless steel	M8	30	8	11	6	25
06089-082X30	stainless steel	M8	30	8	11	6	30
06089-102X20	stainless steel	M10	36	10	-	8	20
06089-102X25	stainless steel	M10	36	10	-	8	25
06089-102X30	stainless steel	M10	36	10	14	8	30
06089-102X40	stainless steel	M10	36	10	14	8	40