

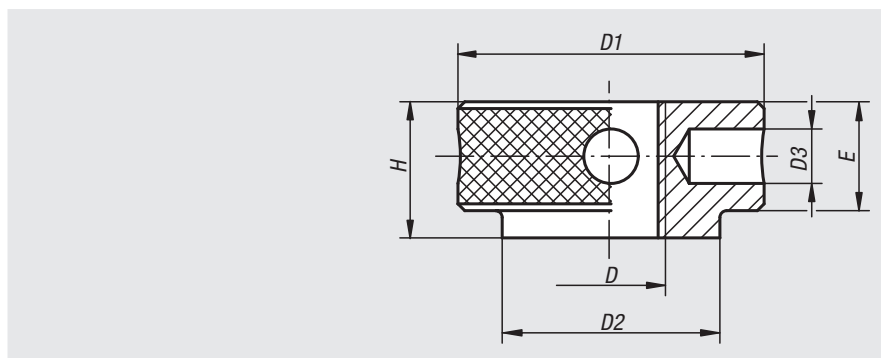
Knurled nuts



Material:
Steel.

Version:
Black oxidised.

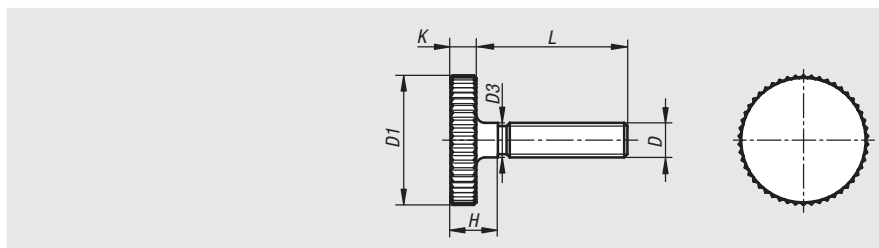
Sample order:
nlm 06070-100



Order No.	D	D1	D2	D3	E	H
06070-100	M10	32	22	4	10	12
06070-120	M12	36	25	5	13,5	16
06070-140	M14	40	28	6	15	18
06070-160	M16	45	32	8	16	20

Knurled screws low head

steel and stainless steel, DIN 653



Material:
Steel or stainless steel (A 1).

Version:
Steel grade 5.8, bright;
Stainless steel, bright.

Sample order:
nlm 06089-062X20 (include length L)

Note:
Delivery is according to DIN 653 or DIN 653-A.

Order No.	Main material	D	D1	D3	H	K	L
06089-03X	steel	M3	12	3	4,5	2,5	10/12/16
06089-04X	steel	M4	16	4	6,5	3,5	8/10/12/16/20
06089-05X	steel	M5	20	5	7	4	10/12/16/20/25/30
06089-06X	steel	M6	24	6	9	5	12/16/20/25/30/35/40
06089-08X	steel	M8	30	8	11	6	16/20/25/30/35/40
06089-10X	steel	M10	36	10	14	8	20/25/30/35/40
06089-032X	stainless steel	M3	12	3	4,5	2,5	10/12/16
06089-042X	stainless steel	M4	16	4	6,5	3,5	8/10/12/16/20
06089-052X	stainless steel	M5	20	5	7	4	10/12/16/20/25/30
06089-062X	stainless steel	M6	24	6	9	5	12/16/20/25/30/35/40
06089-082X	stainless steel	M8	30	8	11	6	16/20/25/30
06089-102X	stainless steel	M10	36	10	14	8	20/25/30/40