

Knurled nuts quick-acting



Quick-acting knurled nuts are mainly used in applications where no high clamping pressures are required.

Tilt the nut to slide on, then straighten it to engage the threads.

Material:

High carbon steel or stainless steel 1.4404.

Version:

Steel tempered and black oxidised.

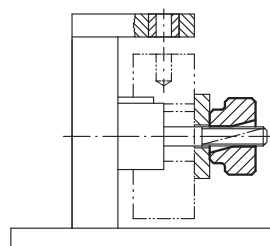
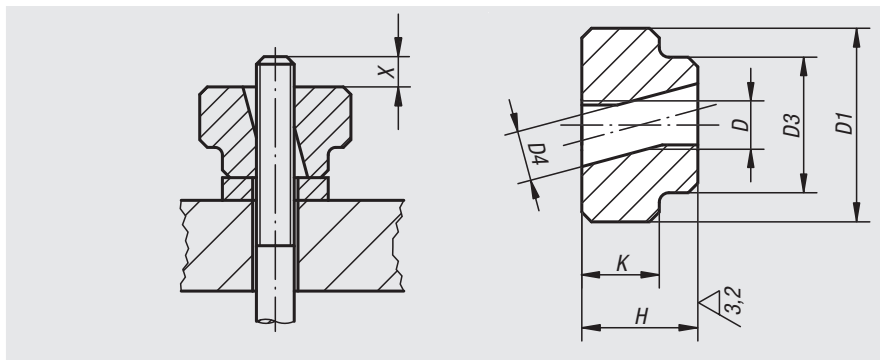
Stainless steel bright.

Sample order:

nIm 06030-08

Drawing reference:

X: The stud should be several mm longer than height "H"



Order No. high carbon steel	Order No. stainless steel	D	D1	D3	D4	H	K
06030-04	06030-104	M4	20	14	4,2	12	8
06030-05	06030-105	M5	20	14	5,2	12	8
06030-06	06030-106	M6	24	16	6,2	14	10
06030-08	06030-108	M8	30	20	8,2	17	12
06030-10	06030-110	M10	36	28	10,3	20	14
06030-12	06030-112	M12	40	32	12,3	24	16