

Spherical seating nuts


Material:

Steel or stainless steel.

Version:

Steel black oxidised.

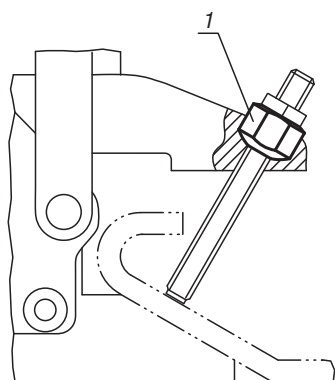
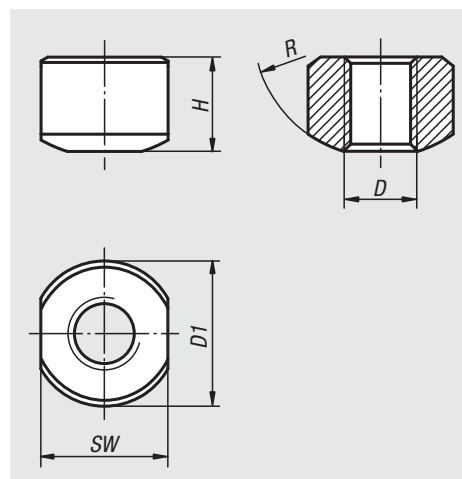
Stainless steel bright.

Sample order:

nIm 05990-04

Drawing reference:

1) Weldable



Order No. steel	Order No. stainless steel	D	H	D1	SW	R
05990-04	05990-104	M4	5,2	8	7	7
05990-05	05990-105	M5	6,7	10	9	9
05990-06	05990-106	M6	9,5	13,5	12,2	10
05990-08	05990-108	M8	12,8	18	15,3	12
05990-10	-	M10	12,1	20	18,2	14
05990-12	-	M12	14,8	23	20	16