

# Toggle clamps vertical

with straight foot and adjustable clamping spindle



**Material:**

Steel.  
Grip polyamide.

**Version:**

Carbonitrided and black oxidised.

**Sample order:**

nIm 05912-005002

**Note:**

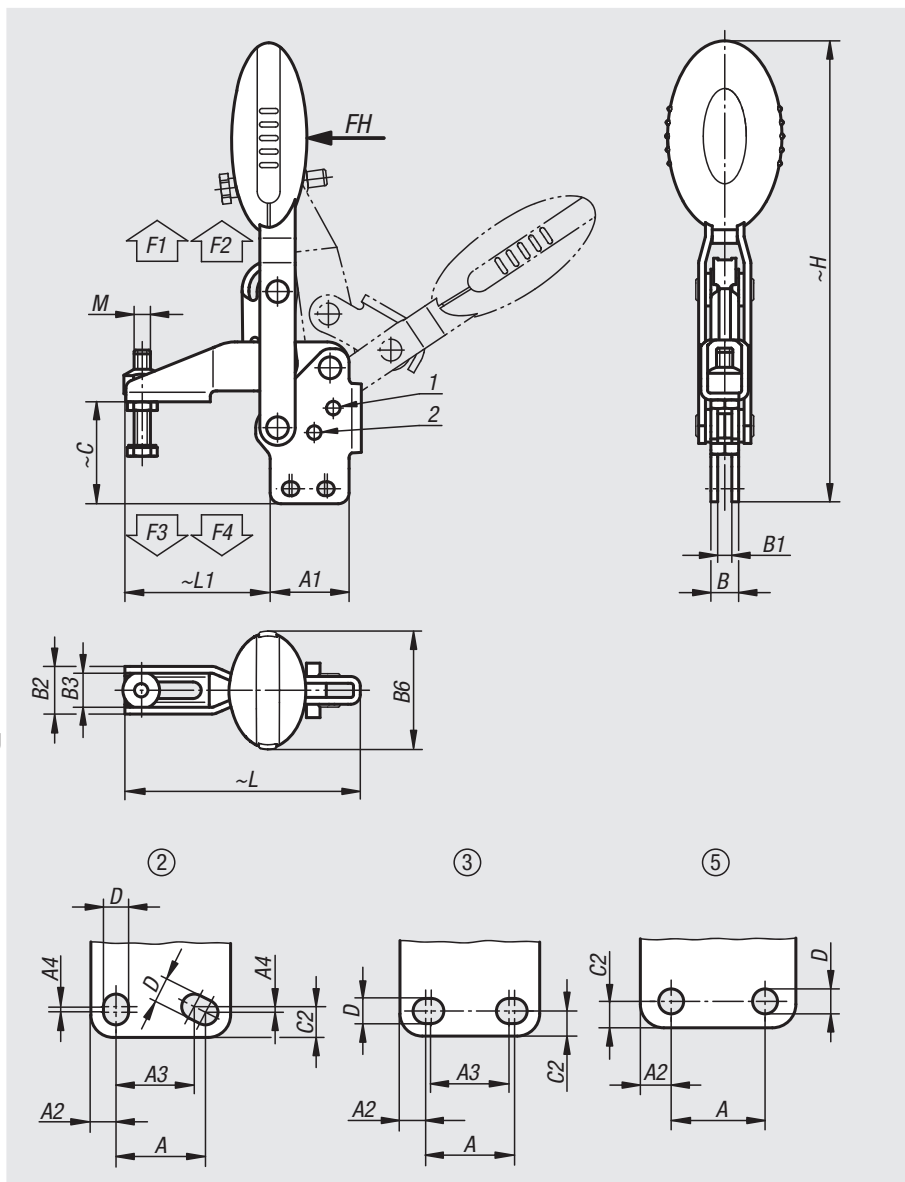
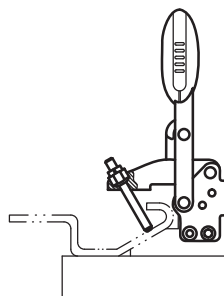
Maintenance-free high quality link bushings. Sustainable constant use of force during opening and closing. Optimum stability through the conical, U-profile clamping arm.

**Accessories:**

- 05280 Protective caps
- 07110 Ball-end thrust screws
- 07117 Grippers, adjustable
- 07120 Grub screws with thrust point DIN 6332
- 07121 Grub screws with ball thrust point
- 07140 Thrust pads DIN 6311
- 07142 Thrust pads

**Drawing reference:**

- 1) stop pin position 1
- 2) stop pin position 2



Order No.	Opening angle holding arm position 1	Opening angle holding arm position 2	Opening angle holding arm stop pin removed	Opening angle handle position 1	Opening angle handle position 2	Hand force FH N	Retaining force F1 N	Retaining force F2 N	Clamping force F3 N	Clamping force F4 N
05912-005002	100°	-	129°	64°	-	100	750	1050	620	750
05912-006002	56°	83°	141°	46°	56°	160	1350	1650	920	1050
05912-008002	13°	93°	158°	26°	61°	190	2000	2800	940	1350
05912-010002	6°	97°	176°	19°	59°	250	2500	4500	1500	2800
05912-012002	11°	88°	164°	24°	60°	280	3000	5500	1400	2800

Order No.	hole arrangement	M	A	A1	A2	A3	A4	B	B1	B2	B3	B6	C	C2	D	H	L	L1
05912-005002	2	M5x25	16	25	4,5	14	1	8,1	4,1	13,2	9,2	22,5	29,8	5,5	4,5	119,2	65,6	35
05912-006002	3	M6x35	14	29	7	12	-	10,2	5,2	17,5	12,5	43,5	37,6	5,5	5,5	169	86,5	53
05912-008002	3	M8x45	21	39	9	19	-	10,2	5,2	20,6	15,6	41,5	49	6,5	6,8	200,4	107	62
05912-010002	2	M10x55	32	50	8	27	3,5	14,1	7,1	25,5	18,5	47	62,3	13	9	247,4	153	95
05912-012002	5	M12x70	32	53	10,5	-	-	14,1	7,1	28	21	47	69,8	9	8,8	265,5	173,5	113,5

# Toggle clamps vertical

with straight foot and adjustable clamping spindle, stainless steel



**Material:**  
Stainless steel.  
Grip polyamide.

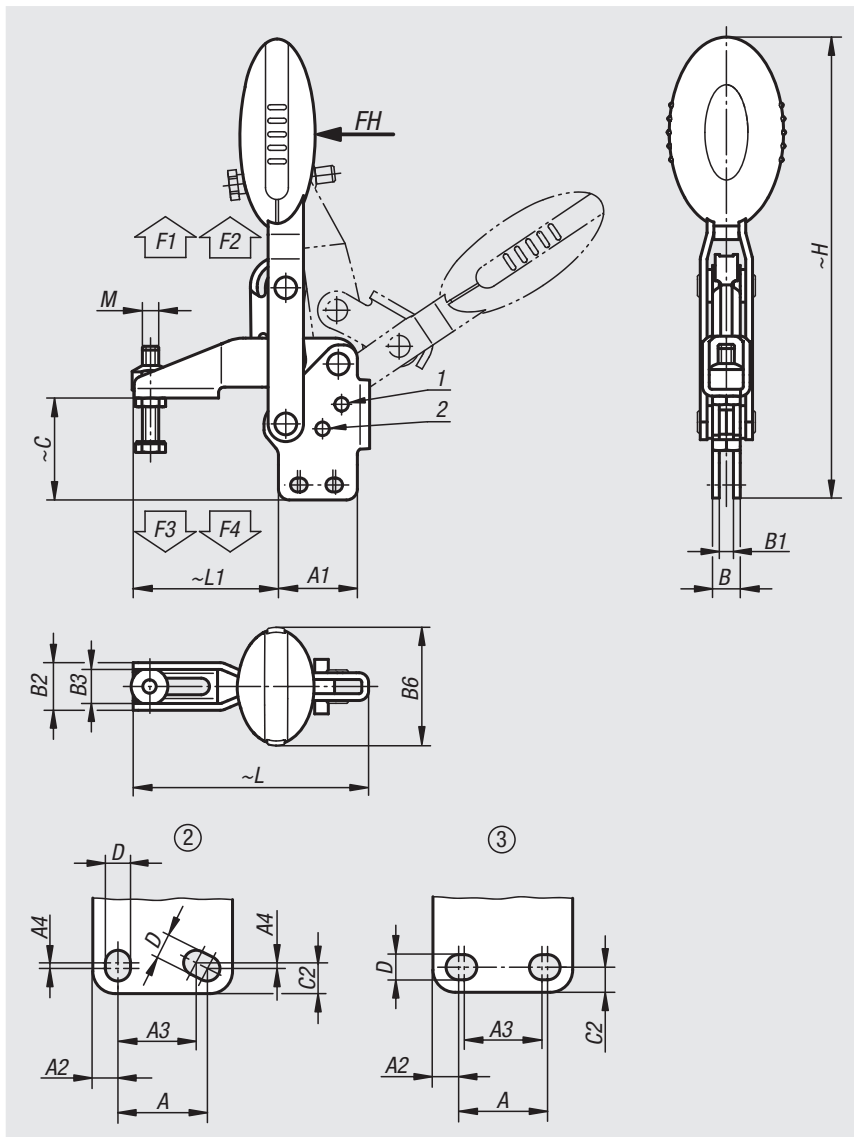
**Version:**  
Bright.

**Sample order:**  
nlm 05912-105002

**Note:**  
Maintenance-free high quality link bushings. Sustainable constant use of force during opening and closing. Optimum stability through the conical, U-profile clamping arm.

**Accessories:**  
05280 Protective caps  
07111 Ball-end thrust screws, stainless steel  
07119 Thrust screws, stainless steel  
07120 Grub screws with thrust point DIN 6332  
07140 Thrust pads DIN 6311

**Drawing reference:**  
1) stop pin position 1  
2) stop pin position 2



Order No.	Opening angle holding arm position 1	Opening angle holding arm position 2	Opening angle holding arm stop pin removed	Opening angle handle position 1	Opening angle handle position 2	Hand force FH N	Retaining force F1 N	Retaining force F2 N	Clamping force F3 N	Clamping force F4 N
05912-105002	100°	-	129°	64°	-	100	750	1050	620	750
05912-106002	56°	83°	141°	46°	56°	160	1350	1650	920	1050
05912-108002	13°	93°	158°	26°	61°	190	2000	2800	940	1350

Order No.	hole arrangement	M	A	A1	A2	A3	A4	B	B1	B2	B3	B6	C	C2	D	H	L	L1
05912-105002	2	M5x25	16	25	4,5	14	1	8,1	4,1	13,2	9,2	22,5	29,8	5,5	4,5	119,2	65,6	35
05912-106002	3	M6x35	14	29	7	12	-	10,2	5,2	17,5	12,5	43,5	37,6	5,5	5,5	169	86,5	53
05912-108002	3	M8x45	21	39	9	19	-	10,2	5,2	20,6	15,6	41,5	49	6,5	6,8	200,4	107	62

01000  
02000  
03000  
04000  
05000  
06000  
07000  
08000  
09000  
10000  
12000

# Toggle clamps vertical with safety interlock

with straight foot and adjustable clamping spindle



## Material:

Steel.  
Grip polyamide.  
Unlocking bracket TPE.

## Version:

Carbonitrided and black oxidised.

## Sample order:

nIm 05912-006102

## Note:

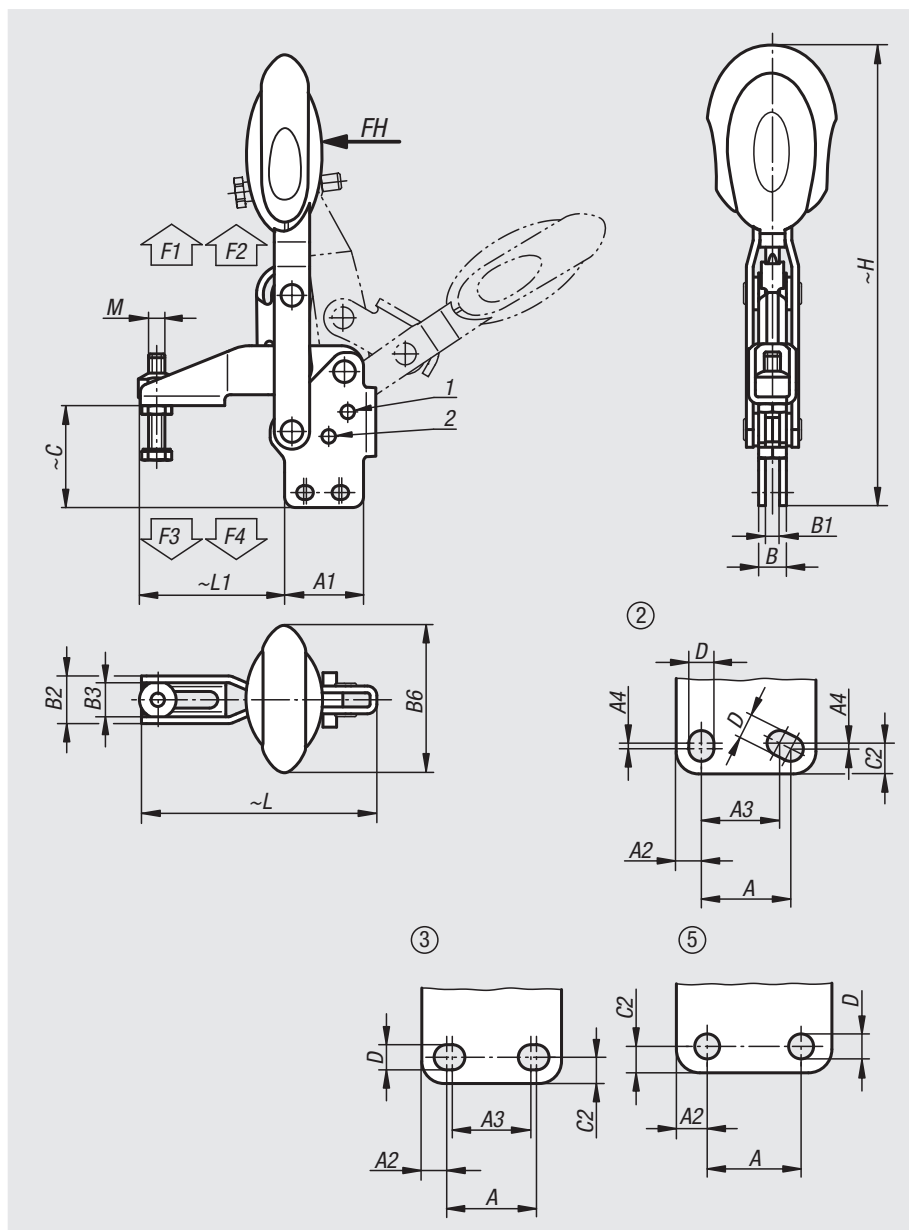
Maintenance-free high quality link bushings.  
Sustainable constant force during opening and closing. Optimum stability through the conical, U-profile clamping arm. Including internal bar lock with automatic safety catch.

## Accessories:

05280 Protective caps  
07110 Ball-end thrust screws  
07117 Grippers, adjustable  
07120 Grub screws with thrust point DIN 6332  
07121 Grub screws with ball thrust point  
07140 Thrust pads DIN 6311  
07142 Thrust pads

## Drawing reference:

1) stop pin position 1  
2) stop pin position 2



Order No.	Opening angle holding arm position 1	Opening angle holding arm position 2	Opening angle holding arm stop pin removed	Opening angle handle position 1	Opening angle handle position 2	Hand force FH N	Retaining force F1 N	Retaining force F2 N	Clamping force F3 N	Clamping force F4 N
05912-006102	56°	83°	141°	46°	56°	160	1350	1650	920	1050
05912-008102	13°	93°	158°	26°	61°	190	2000	2800	940	1350
05912-010102	6°	97°	176°	19°	59°	250	2500	4500	1500	2800
05912-012102	11°	88°	164°	24°	60°	280	3000	5500	1400	2800

Order No.	hole arrangement	M	A	A1	A2	A3	A4	B	B1	B2	B3	B6	C	C2	D	H	L	L1
05912-006102	3	M6x35	14	29	7	12	-	10,2	5,2	17,5	12,5	53,4	37,6	5,5	5,5	175,7	86,5	53
05912-008102	3	M8x45	21	39	9	19	-	10,2	5,2	20,6	15,6	51,1	49	6,5	6,8	207,6	107	62
05912-010102	2	M10x55	32	50	8	27	3,5	14,1	7,1	25,5	18,5	56,5	62,3	13	9	254	153	95
05912-012102	5	M12x70	32	53	10,5	-	-	14,1	7,1	28	21	56,5	69,8	9	8,8	272,1	173,5	113,5

# Toggle clamps vertical with safety interlock

with straight foot and adjustable clamping spindle, stainless steel



**Material:**  
Stainless steel.  
Grip polyamide.  
Unlocking bracket TPE.

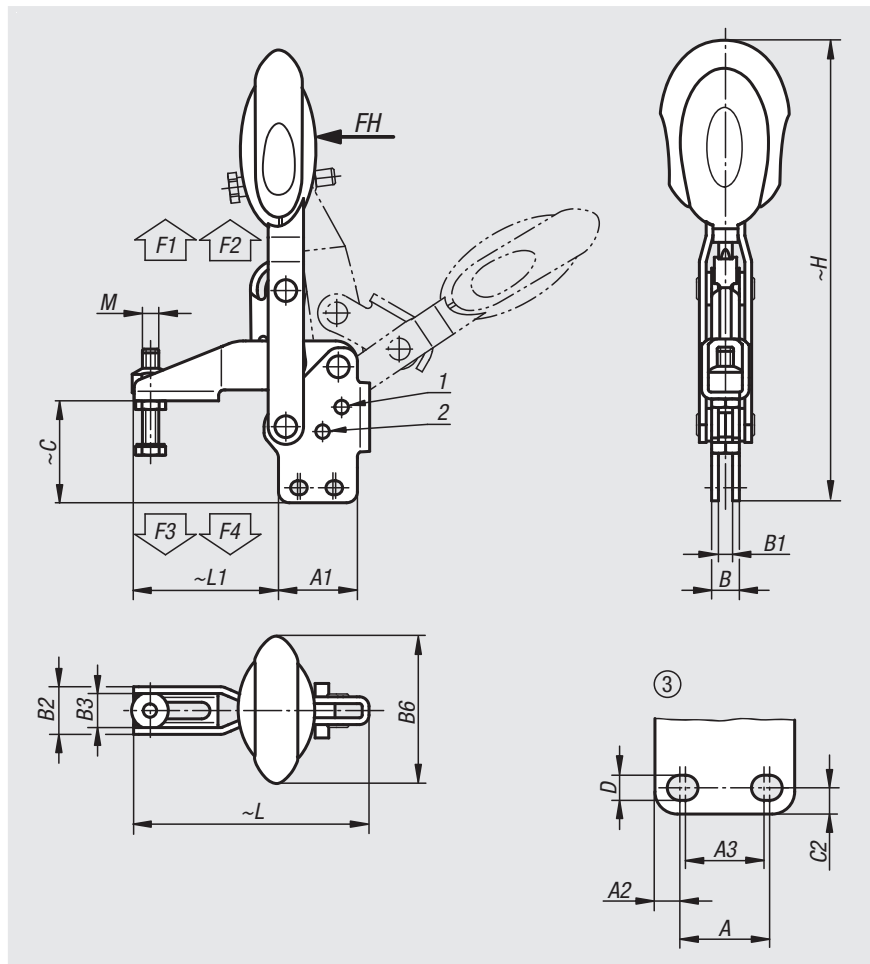
**Version:**  
Bright.

**Sample order:**  
nlm 05912-106102

**Note:**  
Maintenance-free high quality link bushings.  
Sustainable constant force during opening and closing. Optimum stability through the conical, U-profile clamping arm. Including internal bar lock with automatic safety catch.

**Accessories:**  
05280 Protective caps  
07111 Ball-end thrust screws, stainless steel  
07119 Thrust screws, stainless steel  
07120 Grub screws with thrust point DIN 6332  
07140 Thrust pads DIN 6311

**Drawing reference:**  
1) stop pin position 1  
2) stop pin position 2



Order No.	Opening angle holding arm position 1	Opening angle holding arm position 2	Opening angle holding arm stop pin removed	Opening angle handle position 1	Opening angle handle position 2	Hand force FH N	Retaining force F1 N	Retaining force F2 N	Clamping force F3 N	Clamping force F4 N
05912-106102	56°	83°	141°	46°	56°	160	1350	1650	920	1050
05912-108102	13°	93°	158°	26°	61°	190	2000	2800	940	1350

Order No.	hole arrangement	M	A	A1	A2	A3	B	B1	B2	B3	B6	C	C2	D	H	L	L1
05912-106102	3	M6x35	14	29	7	12	10,2	5,2	17,5	12,5	53,4	37,6	5,5	5,5	175,7	86,5	53
05912-108102	3	M8x45	21	39	9	19	10,2	5,2	20,6	15,6	51,1	49	6,5	6,8	207,6	107	62

01000  
02000  
03000  
04000  
05000  
06000  
07000  
08000  
09000  
10000  
12000