

Toggle clamps vertical

with flat foot and adjustable clamping spindle

Order No.	Opening angle holding arm position 1	Opening angle holding arm position 2	Opening angle holding arm stop pin removed	Opening angle handle position 1	Opening angle handle position 2	Opening angle handle stop pin removed
05908-005002	100°	-	147°	64°	-	83°
05908-006002	56°	83°	152°	46°	56°	83°
05908-008002	13°	93°	158°	26°	61°	86°
05908-010002	6°	97°	176°	19°	59°	91°
05908-012002	11°	88°	164°	24°	60°	91°

Order No.	Hand force FH N	Retaining force F1 N	Retaining force F2 N	Clamping force F3 N	Clamping force F4 N	Order No. Angle bracket
05908-005002	100	750	1050	620	750	05880-02
05908-006002	160	1350	1650	920	1050	05880-02
05908-008002	190	2000	2800	940	1350	05880-04
05908-010002	250	2500	4500	1500	2800	05880-06
05908-012002	280	3000	5500	1400	2800	05880-06

Order No.	hole arrangement	M	A	A1	A2	A3	B	B1	B2	B3	B4	B5	B6	C	D	H	L	L1
05908-005002	2	M5x25	16	25	4,5	14	24	33	13,2	9,2	22	2	22,5	18	4,5	107,4	65,6	35
05908-006002	3	M6x35	14	29	7	12	27	38	17,5	12,5	-	2,5	43,5	24,9	5,5	156,3	86,5	53
05908-008002	3	M8x45	21	39	9	19	32	45	20,6	15,6	-	2,5	41,5	32,7	6,8	184,2	107	62
05908-010002	4	M10x55	32	50	8	27	45	64	25,5	18,5	38	3,5	47	38,7	9	223,9	153	95
05908-012002	5	M12x70	32	53	10,5	-	45	63	28	21	-	3,5	47	46,7	8,8	242,4	173,5	113,5

Toggle clamps vertical

with flat foot and adjustable clamping spindle, stainless steel



Material:

Stainless steel.
Grip polyamide.

Version:

Bright.

Sample order:

nIm 05908-105002

Note:

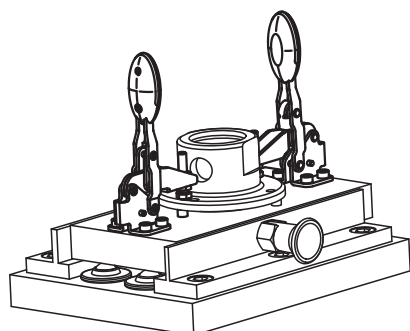
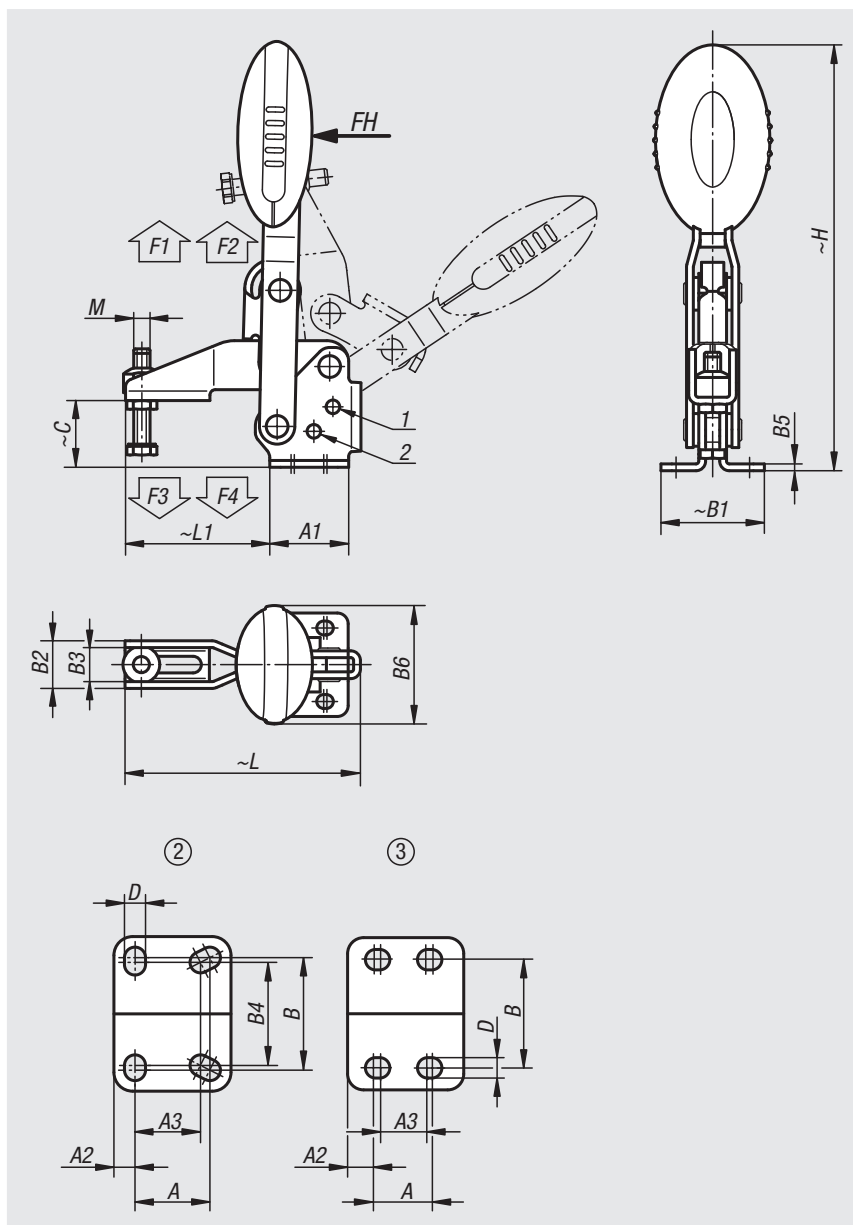
Maintenance-free high quality link bushings. Sustainable constant use of force during opening and closing. Optimum stability through the conical, U-profile clamping arm.

Accessories:

05280 Protective caps
07111 Ball-end thrust screws, stainless steel
07119 Thrust screws, stainless steel
07120 Grub screws with thrust point DIN 6332
07140 Thrust pads DIN 6311

Drawing reference:

1) stop pin position 1
2) stop pin position 2



Toggle clamps vertical

with flat foot and adjustable clamping spindle, stainless steel

Order No.	Opening angle holding arm position 1	Opening angle holding arm position 2	Opening angle holding arm stop pin removed	Opening angle handle position 1	Opening angle handle position 2	Opening angle handle stop pin removed
05908-105002	100°	-	147°	64°	-	83°
05908-106002	56°	83°	152°	46°	56°	83°
05908-108002	13°	93°	158°	26°	61°	86°

Order No.	Hand force FH N	Retaining force F1 N	Retaining force F2 N	Clamping force F3 N	Clamping force F4 N
05908-105002	100	750	1050	620	750
05908-106002	160	1350	1650	920	1050
05908-108002	190	2000	2800	940	1350

Order No.	hole arrangement	M	A	A1	A2	A3	B	B1	B2	B3	B4	B5	B6	C	D	H	L	L1
05908-105002	2	M5x25	16	25	4,5	14	24	33	13,2	9,2	22	2	22,5	18	4,5	107,4	65,6	35
05908-106002	3	M6x35	14	29	7	12	27	38	17,5	12,5	-	2,5	43,5	24,9	5,5	156,3	86,5	53
05908-108002	3	M8x45	21	39	9	19	32	45	20,6	15,6	-	2,5	41,5	32,7	6,8	184,2	107	62

Toggle clamps vertical with safety interlock

with flat foot and adjustable clamping spindle



Material:

Steel.

Grip polyamide.

Unlocking bracket TPE.

Version:

Carbonitrided and black oxidised.

Sample order:

nIm 05908-006102

Note:

Maintenance-free high quality link bushings. Sustainable constant force during opening and closing. Optimum stability through the conical, U-profile clamping arm. Including internal bar lock with automatic safety catch.

Accessories:

05280 Protective caps

05880 Angle brackets

07110 Ball-end thrust screws

07117 Grippers, adjustable

07120 Grub screws with thrust point DIN 6332

07121 Grub screws with ball thrust point

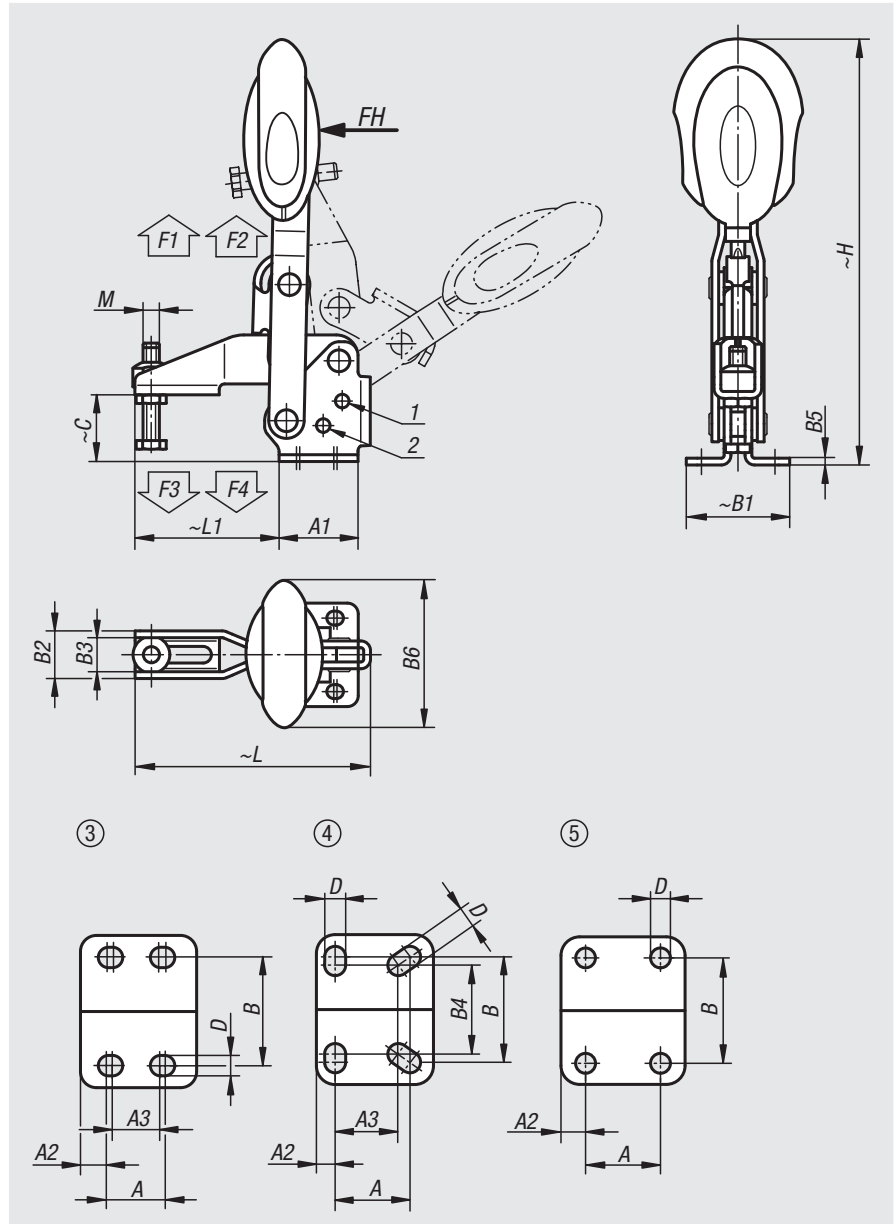
07140 Thrust pads DIN 6311

07142 Thrust pads

Drawing reference:

1) stop pin position 1

2) stop pin position 2



Toggle clamps vertical with safety interlock

with flat foot and adjustable clamping spindle

Order No.	Opening angle holding arm position 1	Opening angle holding arm position 2	Opening angle holding arm stop pin removed	Opening angle handle position 1	Opening angle handle position 2	Opening angle handle stop pin removed
05908-006102	56°	83°	152°	46°	56°	83°
05908-008102	13°	93°	158°	26°	61°	86°
05908-010102	6°	97°	176°	19°	59°	91°
05908-012102	11°	88°	164°	24°	60°	91°

Order No.	Hand force FH N	Retaining force F1 N	Retaining force F2 N	Clamping force F3 N	Clamping force F4 N	Order No. Angle bracket
05908-006102	160	1350	1650	920	1050	05880-02
05908-008102	190	2000	2800	940	1350	05880-04
05908-010102	250	2500	4500	1500	2800	05880-06
05908-012102	280	3000	5500	1400	2800	05880-06

Order No.	hole arrangement	M	A	A1	A2	A3	B	B1	B2	B3	B4	B5	B6	C	D	H	L	L1
05908-006102	3	M6x35	14	29	7	12	27	38	17,5	12,5	-	2,5	53,4	24,9	5,5	163	86,5	53
05908-008102	3	M8x45	21	39	9	19	32	45	20,6	15,6	-	2,5	51,1	32,7	6,8	191,4	107	62
05908-010102	4	M10x55	32	50	8	27	45	64	25,5	18,5	38	3,5	56,5	38,7	9	230,5	153	95
05908-012102	5	M12x70	32	53	10,5	-	45	63	28	21	-	3,5	56,5	46,7	8,8	249,1	173,5	113,5

Toggle clamps vertical with safety interlock

with flat foot and adjustable clamping spindle, stainless steel



Material:

Stainless steel.
Grip polyamide.
Unlocking bracket TPE.

Version:

Bright.

Sample order:

nIm 05908-106102

Note:

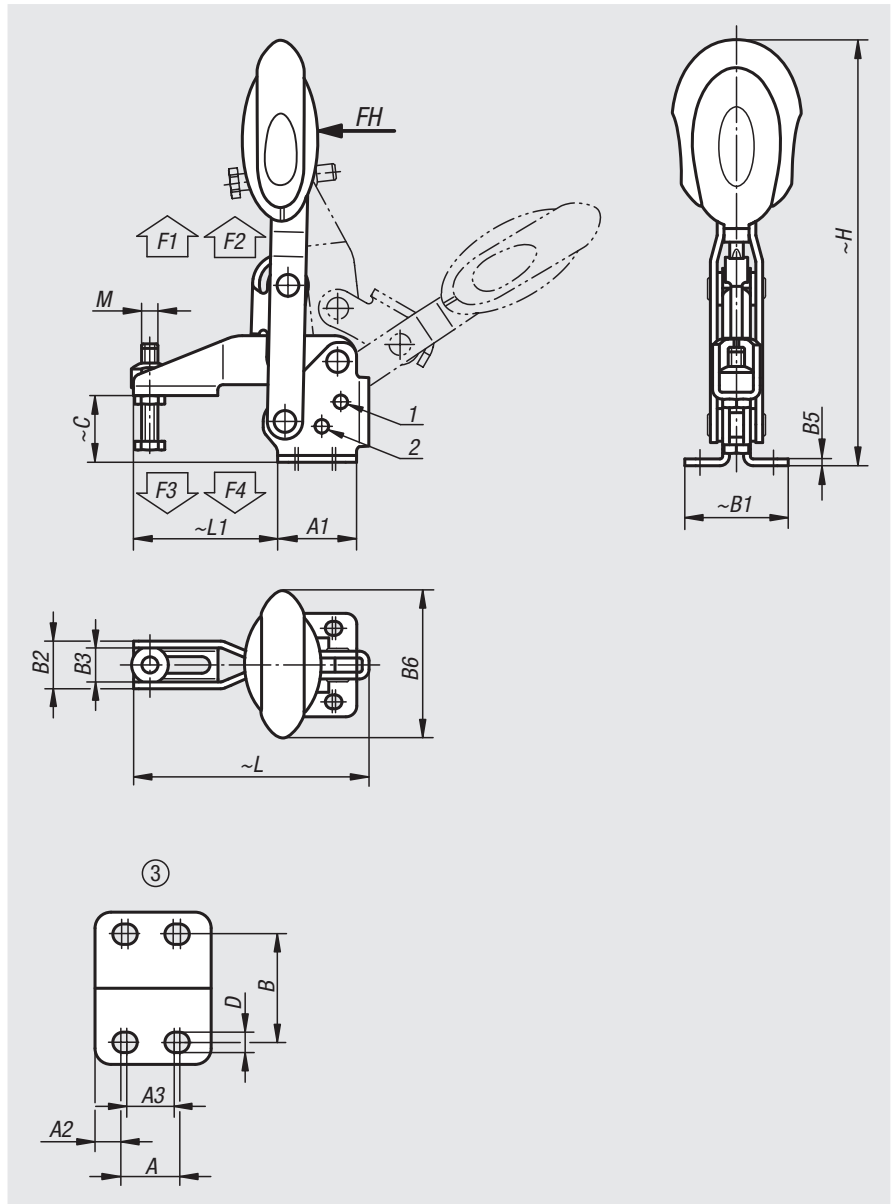
Maintenance-free high quality link bushings. Sustainable constant force during opening and closing. Optimum stability through the conical, U-profile clamping arm. Including internal bar lock with automatic safety catch.

Accessories:

05280 Protective caps
07111 Ball-end thrust screws, stainless steel
07119 Thrust screws, stainless steel
07120 Grub screws with thrust point DIN 6332
07140 Thrust pads DIN 6311

Drawing reference:

1) stop pin position 1
2) stop pin position 2



Toggle clamps vertical with safety interlock

with flat foot and adjustable clamping spindle, stainless steel

Order No.	Opening angle holding arm position 1	Opening angle holding arm position 2	Opening angle holding arm stop pin removed	Opening angle handle position 1	Opening angle handle position 2	Opening angle handle stop pin removed
05908-106102	56°	83°	152°	46°	56°	83°
05908-108102	13°	93°	158°	26°	61°	86°

Order No.	Hand force FH N	Retaining force F1 N	Retaining force F2 N	Clamping force F3 N	Clamping force F4 N
05908-106102	160	1350	1650	920	1050
05908-108102	190	2000	2800	940	1350

Order No.	hole arrangement	M	A	A1	A2	A3	B	B1	B2	B3	B5	B6	C	D	H	L	L1
05908-106102	3	M6x35	14	29	7	12	27	38	17,5	12,5	2,5	53,4	24,9	5,5	163	86,5	53
05908-108102	3	M8x45	21	39	9	19	32	45	20,6	15,6	2,5	51,1	32,7	6,8	191,4	107	62