

# Toggle clamps horizontal

with flat foot and adjustable clamping spindle



## Material:

Steel.  
Grip polyamide.

## Version:

Carbonitrided and black oxidised.

## Sample order:

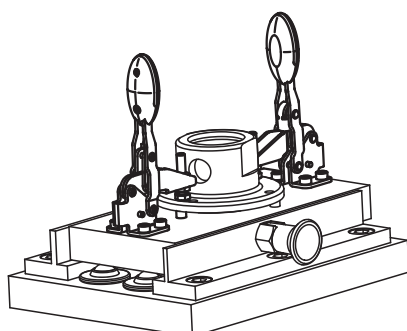
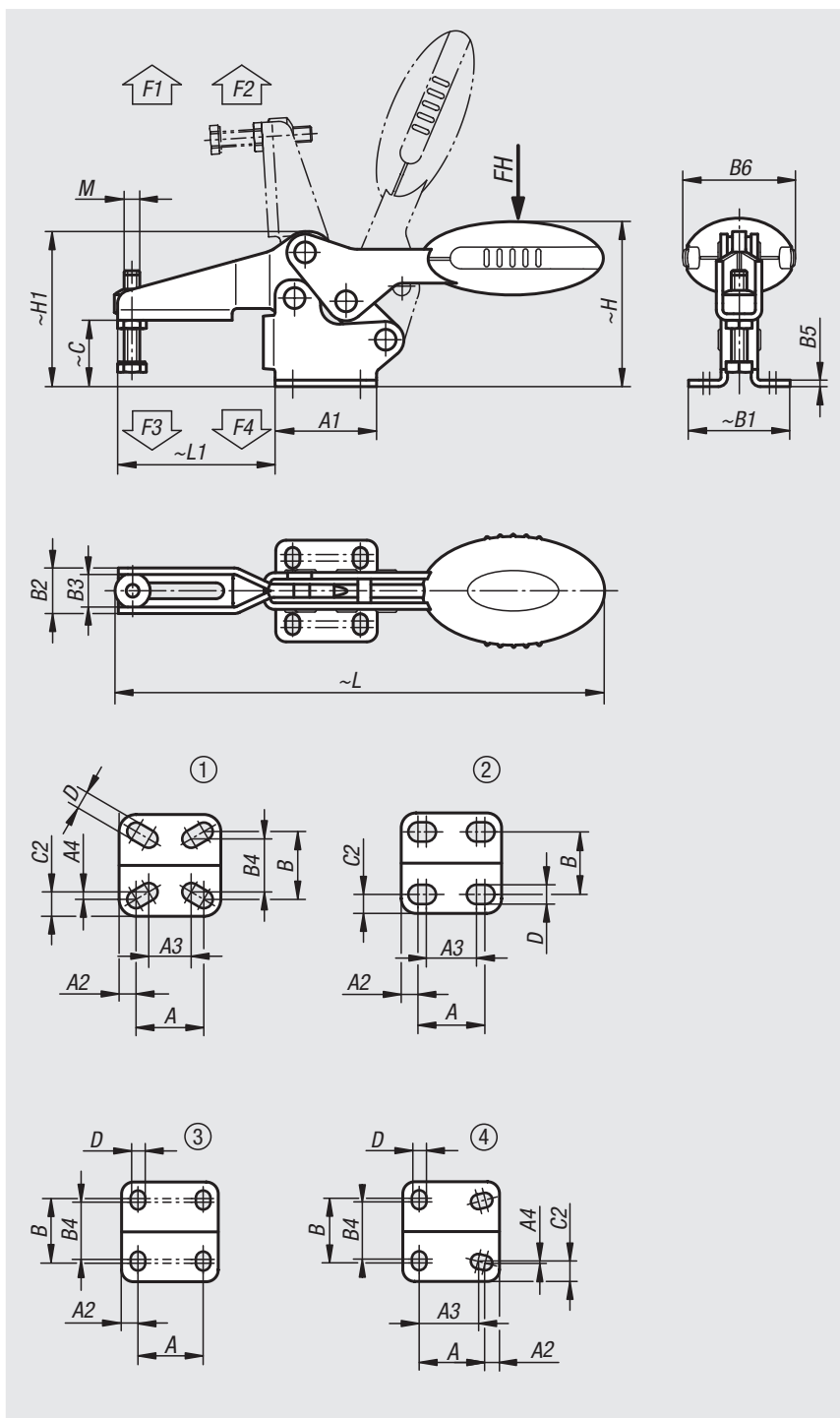
nIm 05900-004002

## Note:

Maintenance-free high quality link bushings.  
Sustainable constant use of force during opening and closing. Optimum stability through the conical, U-profile clamping arm.

## Accessories:

05280 Protective caps  
05880 Angle brackets  
07110 Ball-end thrust screws  
07117 Grippers, adjustable  
07120 Grub screws with thrust point DIN 6332  
07121 Grub screws with ball thrust point  
07140 Thrust pads DIN 6311  
07142 Thrust pads



# Toggle clamps horizontal

with flat foot and adjustable clamping spindle

Order No.	hole arrangement	Opening angle of holding arm	Opening angle of handle	Hand force FH N	Retaining force F1 N	Retaining force F2 N	Clamping force F3 N	Clamping force F4 N	Order No. Angle bracket
05900-004002	1	87°	69°	80	400	500	250	300	05880-02
05900-005002	2	86°	67°	100	650	900	550	620	05880-02
05900-006002	3	86°	67°	160	1350	1900	720	1200	05880-04
05900-008002	3	86°	67°	200	2000	2800	830	1400	05880-04
05900-010002	3	90°	71°	250	2200	4500	1200	2800	05880-06
05900-012002	4	88°	68°	280	2400	5500	1000	2800	05880-06

Order No.	M	A	A1	A2	A3	A4	B	B1	B2	B3	B4	B5	B6	C	C2	D	H	H1	L	L1
05900-004002	M4x16	16	24	4	12,8	0,95	16	24	10,2	7,2	12,5	1,5	20	11,7	4,95	4,2	28,7	26,3	91,8	23,7
05900-005002	M5x25	18	27	4,5	13,5	-	16,8	27,3	13,2	9,2	-	2	22,5	17,2	5,25	5,5	43,4	38,9	125,7	41,8
05900-006002	M6x35	26	39	6,5	-	-	28	39	17,5	12,5	23	2,5	43,5	25,4	-	5,5	63,7	59,6	186,6	60,5
05900-008002	M8x45	26	44	9	-	-	31	45	21	16	24	2,5	41,5	32,2	-	6,2	73,9	70,1	223,1	74,9
05900-010002	M10x55	41,5	59	9	-	-	43	59	26	19	39	3,5	47	40	-	8,8	94,8	88	279,4	103,9
05900-012002	M12x70	44	65	10	40	1	42	67	28	21	40	3,5	47	52,3	13,5	8,5	104,8	101,6	314,7	122

## Toggle clamps horizontal

with flat foot and adjustable clamping spindle, stainless steel



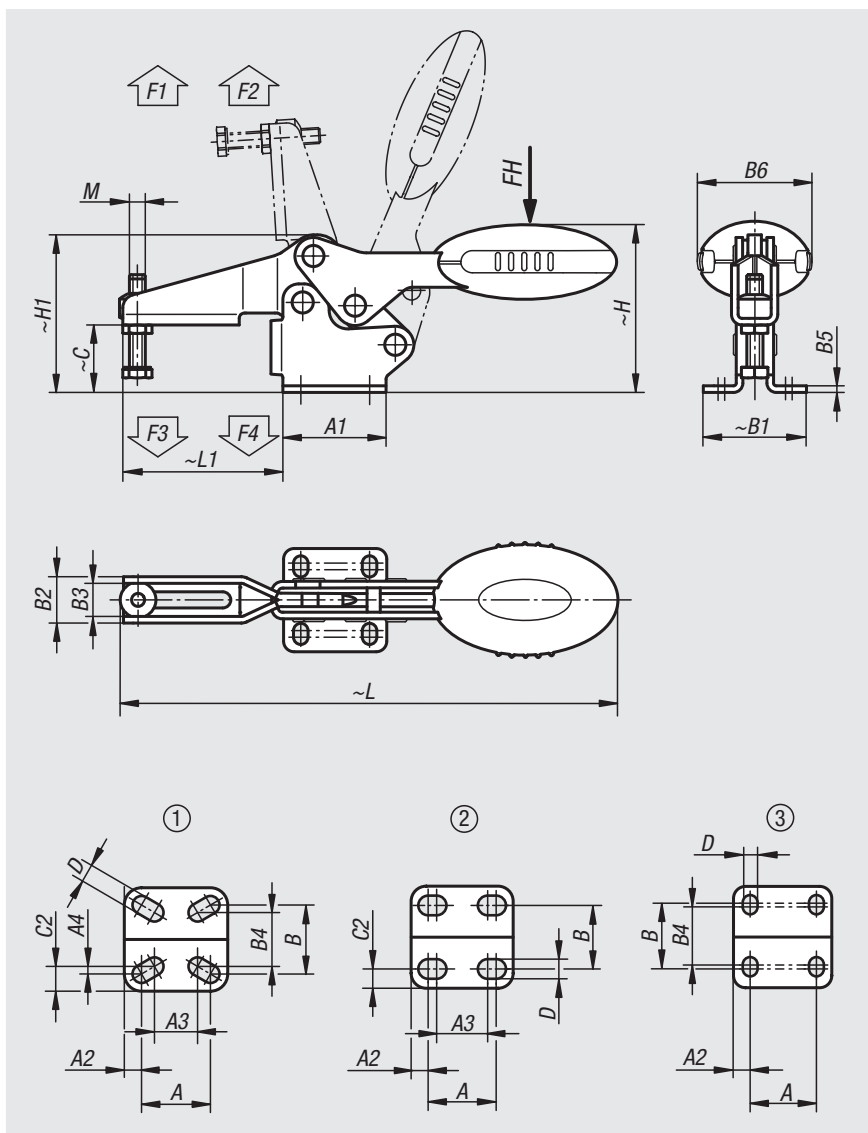
**Material:**  
Stainless steel.  
Grip polyamide.

**Version:**  
Bright.

**Sample order:**  
nlm 05900-104002

**Note:**  
Maintenance-free high quality link bushings. Sustainable constant use of force during opening and closing. Optimum stability through the conical, U-profile clamping arm.

**Accessories:**  
05280 Protective caps  
07111 Ball-end thrust screws, stainless steel  
07119 Thrust screws, stainless steel  
07120 Grub screws with thrust point DIN 6332  
07140 Thrust pads DIN 6311



Order No.	hole arrangement	Opening angle of holding arm	Opening angle of handle	Hand force FH N	Retaining force F1 N	Retaining force F2 N	Clamping force F3 N	Clamping force F4 N
05900-104002	1	87°	69°	80	400	500	250	300
05900-105002	2	86°	67°	100	650	900	550	620
05900-106002	3	86°	67°	160	1350	1900	720	1200
05900-108002	3	86°	67°	200	2000	2800	830	1400

Order No.	M	A	A1	A2	A3	A4	B	B1	B2	B3	B4	B5	B6	C	C2	D	H	H1	L	L1
05900-104002	M4x16	16	24	4	12,8	0,95	16	24	10,2	7,2	12,5	1,5	20	11,7	4,95	4,2	28,7	26,3	91,8	23,7
05900-105002	M5x25	18	27	4,5	13,5	-	16,8	27,3	13,2	9,2	-	2	22,5	17,2	5,25	5,5	43,4	38,9	125,7	41,8
05900-106002	M6x35	26	39	6,5	-	-	28	39	17,5	12,5	23	2,5	43,5	25,4	-	5,5	63,7	59,6	186,6	60,5
05900-108002	M8x45	26	44	9	-	-	31	45	21	16	24	2,5	41,5	32,2	-	6,2	73,9	70,1	223,1	74,9

# Toggle clamps horizontal with safety interlock

with flat foot and adjustable clamping spindle



**Material:**

Steel.  
Grip polyamide.  
Unlocking bracket TPE.

**Version:**

Carbonitrided and black oxidised.

**Sample order:**

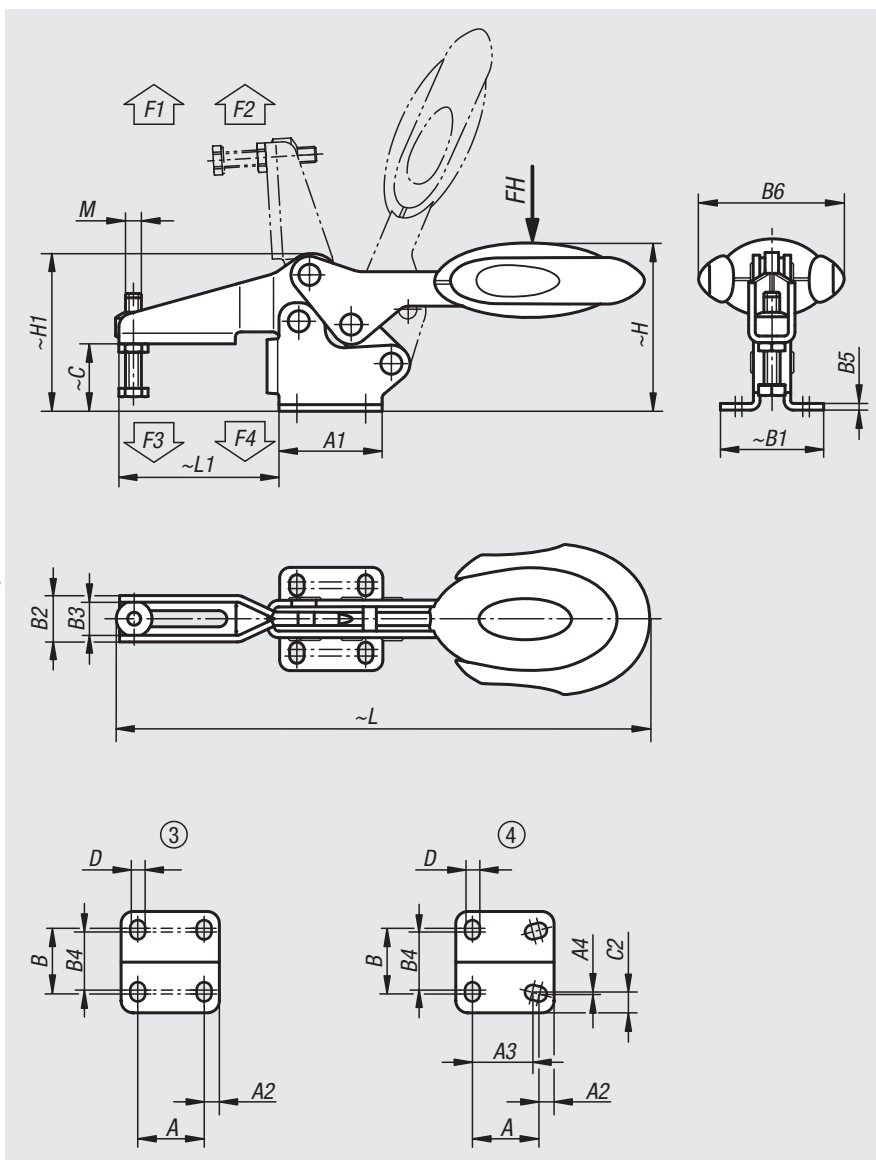
nIm 05900-006102

**Note:**

Maintenance-free high quality link bushings. Sustainable constant force during opening and closing. Optimum stability through the conical, U-profile clamping arm. Including internal bar lock with automatic safety catch.

**Accessories:**

- 05280 Protective caps
- 05880 Angle brackets
- 07110 Ball-end thrust screws
- 07117 Grippers, adjustable
- 07120 Grub screws with thrust point DIN 6332
- 07121 Grub screws with ball thrust point
- 07140 Thrust pads DIN 6311
- 07142 Thrust pads



Order No.	hole arrangement	Opening angle of holding arm	Opening angle of handle	Hand force FH N	Retaining force F1 N	Retaining force F2 N	Clamping force F3 N	Clamping force F4 N	Order No. Angle bracket
05900-006102	3	86°	67°	160	1350	1900	720	1200	05880-04
05900-008102	3	86°	67°	200	2000	2800	830	1400	05880-04
05900-010102	3	90°	71°	250	2200	4500	1200	2800	05880-06
05900-012102	4	88°	68°	280	2400	5500	1000	2800	05880-06

Order No.	M	A	A1	A2	A3	A4	B	B1	B2	B3	B4	B5	B6	C	C2	D	H	H1	L	L1
05900-006102	M6x35	26	39	6,5	-	-	28	39	17,5	12,5	23	2,5	53,4	25,4	-	5,5	63,7	59,6	193,3	60,5
05900-008102	M8x45	26	44	9	-	-	31	45	21	16	24	2,5	51,1	32,2	-	6,2	73,9	70,1	230,4	74,9
05900-010102	M10x55	41,5	59	8,5	-	-	43	59	26	19	39	3,5	56,5	40	-	8,8	94,8	88	286	103,9
05900-012102	M12x70	44	65	10	40	1	42	67	28	21	40	3,5	56,5	52,3	13,5	8,5	104,8	101,6	321,3	122

01000  
02000  
03000  
04000  
05000  
06000  
07000  
08000  
09000  
10000  
12000

# Toggle clamps horizontal with safety interlock

with flat foot and adjustable clamping spindle, stainless steel


**Material:**

Stainless steel.  
Grip polyamide.  
Unlocking bracket TPE.

**Version:**

Bright.

**Sample order:**

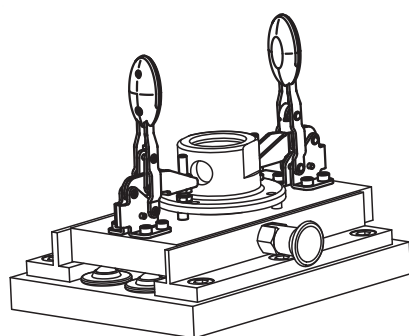
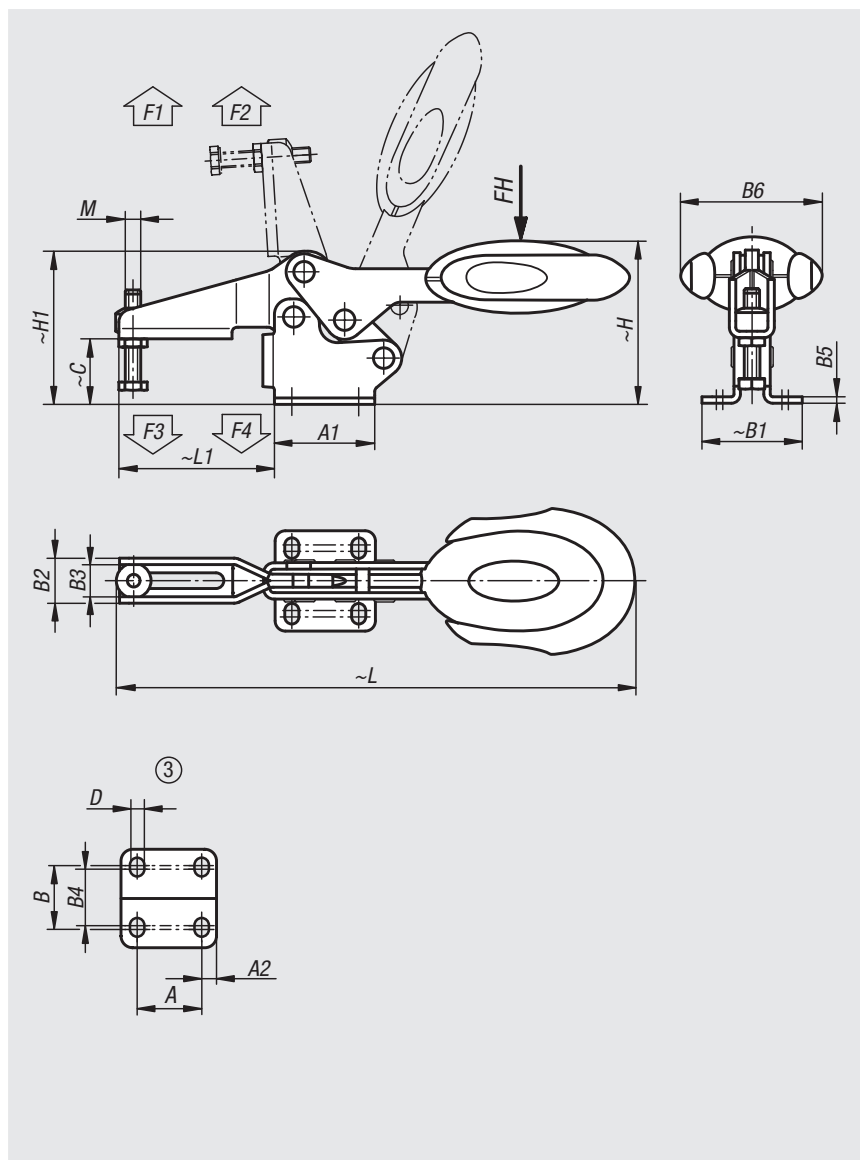
nIm 05900-106102

**Note:**

Maintenance-free high quality link bushings. Sustainable constant force during opening and closing. Optimum stability through the conical, U-profile clamping arm. Including internal bar lock with automatic safety catch.

**Accessories:**

05280 Protective caps  
07111 Ball-end thrust screws, stainless steel  
07119 Thrust screws, stainless steel  
07120 Grub screws with thrust point DIN 6332  
07140 Thrust pads DIN 6311



Order No.	hole arrangement	Opening angle of holding arm	Opening angle of handle	Hand force FH N	Retaining force F1 N	Retaining force F2 N	Clamping force F3 N	Clamping force F4 N
05900-106102	3	86°	67°	160	1350	1900	720	1200
05900-108102	3	86°	67°	200	2000	2800	830	1400

Order No.	M	A	A1	A2	B	B1	B2	B3	B4	B5	B6	C	D	H	H1	L	L1
05900-106102	M6x35	26	39	6,5	28	39	17,5	12,5	23	2,5	53,4	25,4	5,5	63,7	59,6	193,3	60,5
05900-108102	M8x45	26	44	9	31	45	21	16	24	2,5	51,1	32,2	6,2	73,9	70,1	230,4	74,9