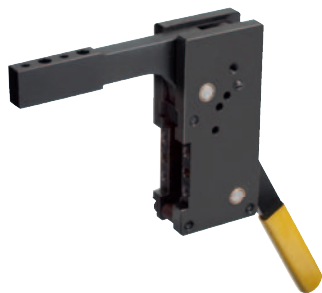


# Manual clamp

vertical with hole pattern on the front



## Material:

Housing and clamping arm steel.

## Sample order:

nIm 05667-160

## Note:

Manual clamp with integrated toggle lever for over dead centre locking.

The clamping arm is has a fixed stop for reproducible end positions.

The housing features a hole pattern at the front.

All hinge pins for the mechanics are in bushes.

The hand lever has an ergonomic grip.

The clamping arm has a hole pattern for mounting thrust pads.

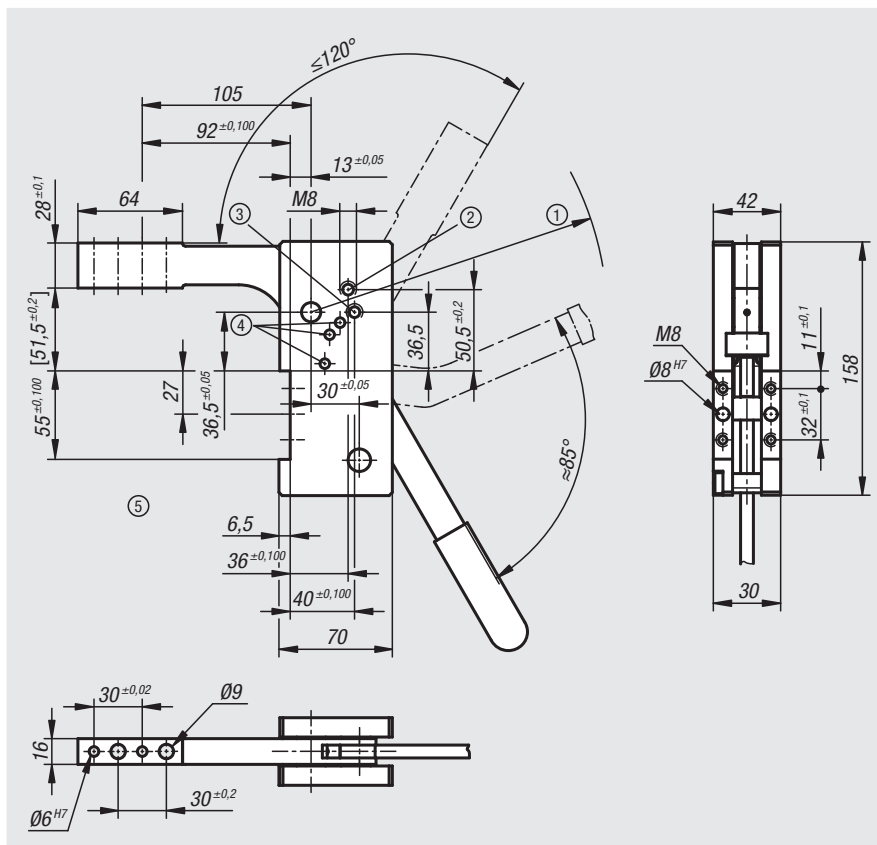
1) Cantilever: max. R 300 mm

2) Ratchet stops for opening angles 45°–65°

3) Ratchet stops for opening angles 90°–120°

4) End stop for opening angle

5) For values [...] tolerances spaced at 80 mm from the fulcrum apply



Order No.	Clamping torque Mx Nm	Retaining torque Nm
05667-160	160	320