

Mini clamp

for horizontal installation



Material:

Casing high-tensile aluminium.
Clamping arm steel.

Version:

Clamping arm black oxidised.

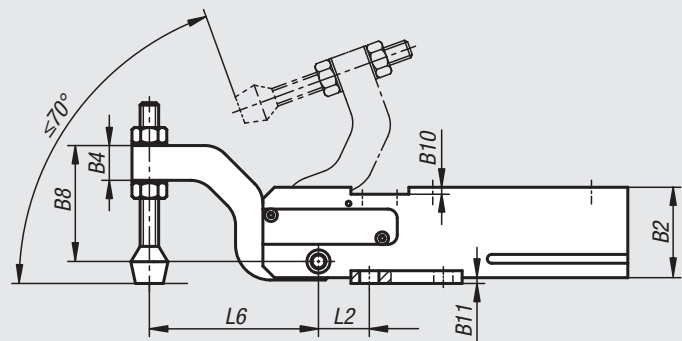
Sample order:

nIm 05665-081

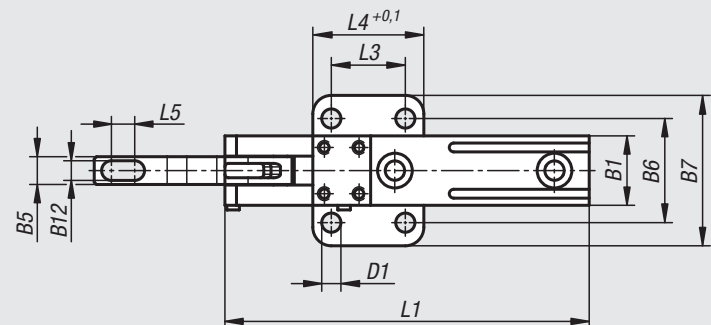
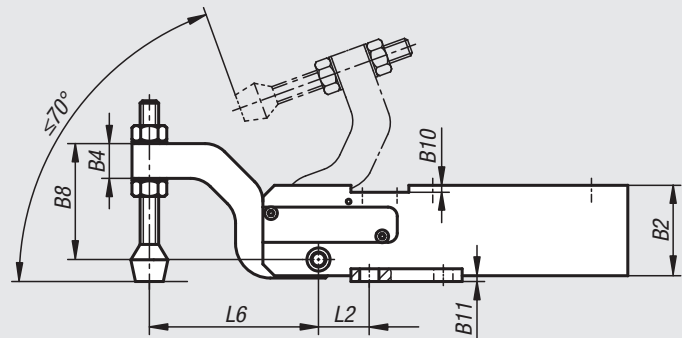
Note:

The mini clamp is characterised by its small dimensions, positioning accuracy of the clamping arm and light construction. Mini clamps are fully self-limiting. The clamping force is guaranteed even when the pressure is removed through the over dead-centre position of the toggle lever on the clamping arm. The permanent lubrication and special bearing bushings make the mini clamps maintenance-free. They can be operated using dry, oil-free air.

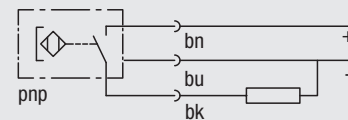
electronic end position feedback



no end position feedback



Electrical connection diagram



Connection type	PICO
Operating voltage (V)	10...30 VDC
Residual ripple (%)	≤ 10
Intrinsic current consumption (mA)	$\leq 2,0$
Constant current (mA)	≤ 120
Switching hysteresis (mm)	≤ 1
Condition display	LED
Permissible environmental temperature (°C)	-25...+70
Protection class (DIN 40 050)	IP 67

Mini clamp

for horizontal installation

Mini clamp with electronic end position feedback

Order No.	Size	Tightening torque Nm at 5 bar	Retaining torque Nm	Operating pressure bar with oil-free air	Max pressure bar with oil-free air	B1	B2	B4	B5	B6	B7	B8
05665-081	2	8	25	5	6	26	32	12	10	45	65	33
05665-151	3	15	54	5	6	30	39	15	12	45	65	50
05665-251	4	25	75	5	6	35	45	12	16	50	70	52

Order No.	Size	B10	B11	B12	D1	L1	L2	L3	L4	L5	L6	Connecting thread
05665-081	2	2,5	3	6,5	5	123	16	32	48	4	50	M05
05665-151	3	3	3	8,5	8,3	158	22	32	48	10,5	73	G1/8
05665-251	4	4	4	8,5	8,3	182	26,5	45	64	19,5	80	G1/8

Mini clamp without end position feedback

Order No.	Size	Tightening torque Nm at 5 bar	Retaining torque Nm	Operating pressure bar with oil-free air	Max pressure bar with oil-free air	B1	B2	B4	B5	B6	B7	B8
05665-084	2	8	25	5	6	26	32	12	10	45	65	33
05665-154	3	15	54	5	6	30	39	15	12	45	65	50
05665-254	4	25	75	5	6	35	45	12	16	50	70	52

Order No.	Size	B10	B11	B12	D1	L1	L2	L3	L4	L5	L6	Connecting thread
05665-084	2	2,5	3	6,5	5	123	16	32	48	4	50	M05
05665-154	3	3	3	8,5	8,3	158	22	32	48	10,5	73	G1/8
05665-254	4	4	4	8,5	8,3	182	26,5	45	64	19,5	80	G1/8