

Clamping arm

for swing clamp

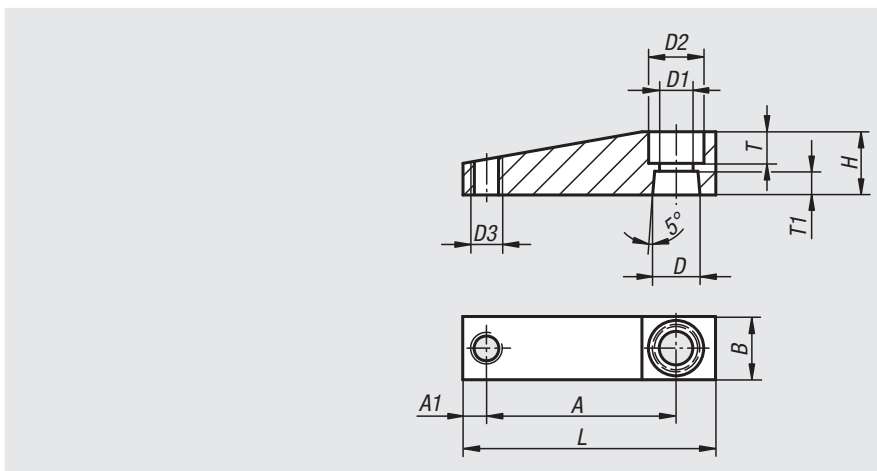


Material:
High-strength aluminium alloy

Version:
Coated with hart-coat®

Sample order:
nlm 05620-12

Note:
Hard wearing surface, repels welding particles.
Suitable for pneumatic swing clamp 05610, in respective sizes.



Order No.	Size	A	A1	B	D	D1	D2	D3	H	L	T	T1
05620-12	12	35	4	12	8	5,5	9	M4	12	45	5	5
05620-16	16	41	4	12	8	5,5	9	M4	12	51	4	5
05620-20	20	48	6	16	12	8,5	14	M6	16	64	8	6
05620-25	25	50	6	16	14	9	14	M6	16	66	6	6
05620-32	32	60	9	20	16	9	14	M8	20	80	7	9
05620-40	40	70	9	20	16	9	14	M8	20	90	7	9
05620-50	50	80	10	25	20	11	17	M12	25	105	9	10
05620-63	63	90	10	25	20	11	17	M12	25	115	9	10

Adapters

for swing clamp

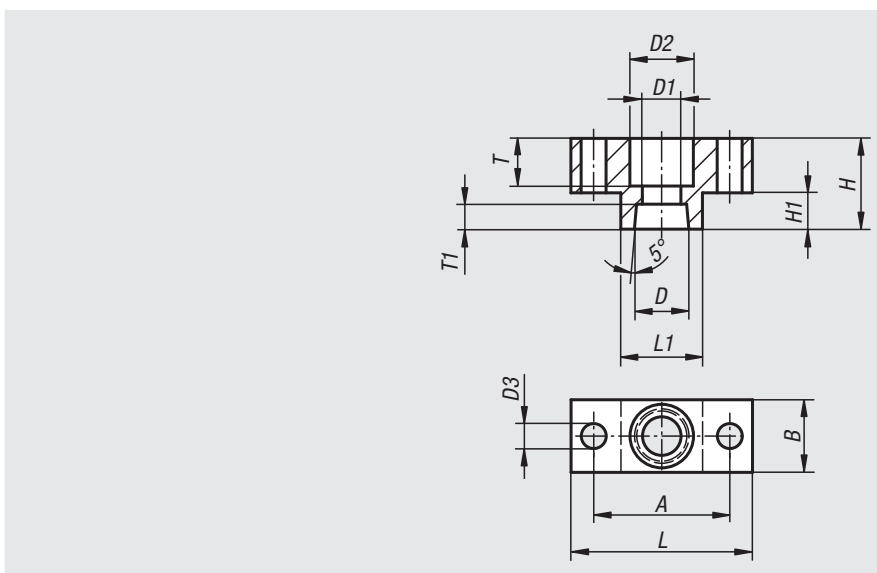


Material:
High-strength aluminium alloy

Version:
Coated with hart-coat®

Sample order:
nlm 05625-1216

Note:
Hard wearing surface, repels welding particles.
Holds matching clamping arms. Suitable for pneumatic swing clamp 05610 in respective sizes.



Order No.	Size	A	B	D	D1	D2	D3	H	H1	L	L1	T	T1
05625-1216	12/16	22	12	8	5,5	10	4,5	14	6	30	13	7	5
05625-2000	20	30	16	12	8,5	14	5,5	20	8	40	18	10,5	5,5
05625-2500	25	38	16	14	8,5	14	5,5	20	8	50	25	8	6,5
05625-3240	32/40	45	19	16	8,5	14	7	25	10	60	30	11	9
05625-5063	50/63	48	25	20	10,5	17	9	30	12	65	30	14	10

