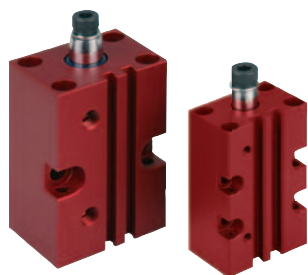


## Swing clamps

pneumatic



**Material:**

Body aluminium.  
Double-acting piston rod stainless steel.

**Version:**

Body, red anodised.  
Double acting piston rod, polished.

**Sample order:**

n1m 05610-112

**Note:**

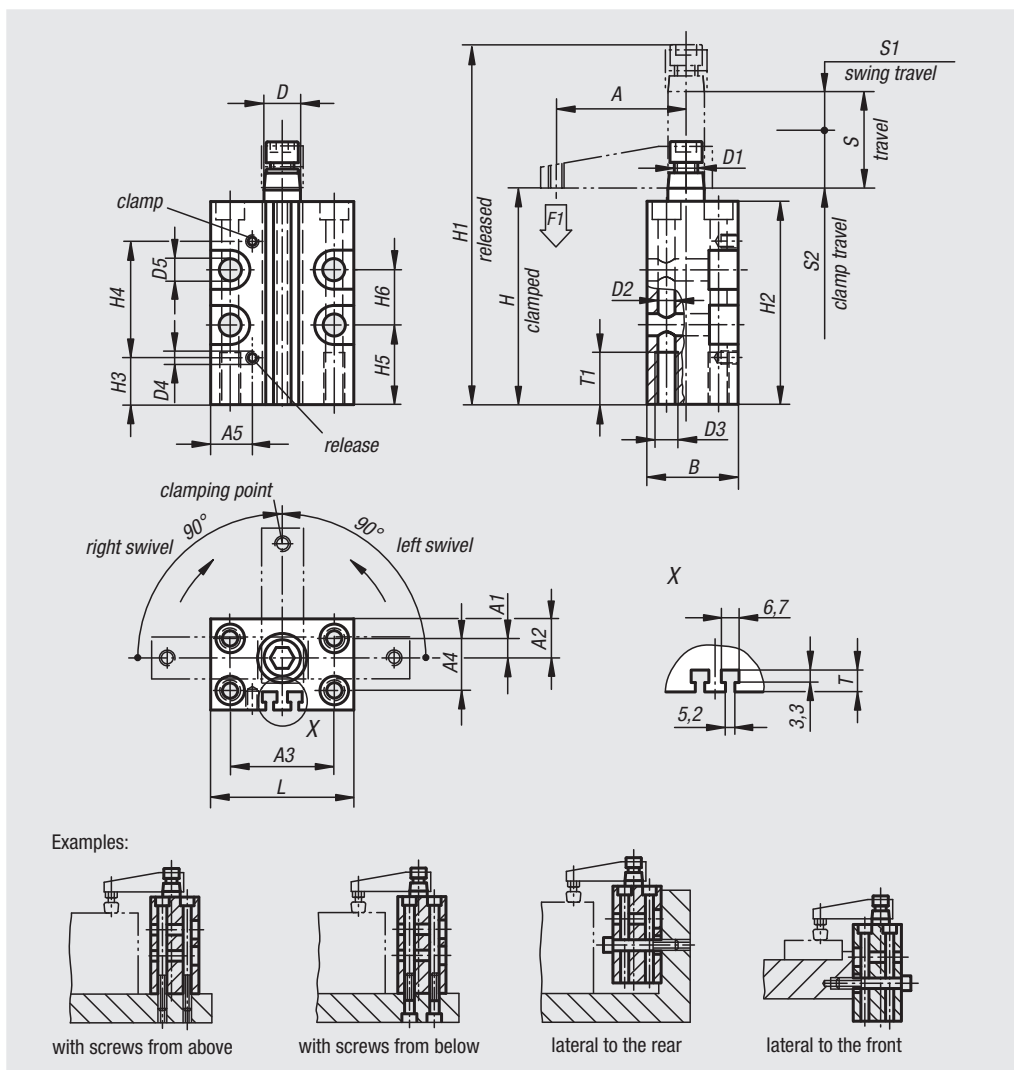
Swing clamps are used where low clamping forces suffice or where the clamping point must be free when mounting and removing the workpiece. The block form of the housing offers universal fastening possibilities. The magnetic piston is primed for electrical end position feedback. Including screw and lock washer for fastening the clamping arms (accessories). The swing action of the clamp should not be blocked.  
F1 = at 6 bar (max. operating pressure).

**On request:**

Proximity switch.

**Accessories:**

- Clamping arm 05620
- Adapter 05625



Order No. swivel to the right	Order No. swivel to the left	Size	A	A1	A2	A3	A4	A5	B	D	D1	D2	D3	Travel S	S1	S2
05610-112	05610-212	12	35	0	10	31	-	20	24	8	M5	4,3	M5	16	7	9
05610-116	05610-216	16	41	-2	11	31	-	21	28	8	M5	4,3	M5	16	7	9
05610-120	05610-220	20	48	8	13	36	20	11,5	30	12	M8	5,5	M6	27	12	15
05610-125	05610-225	25	50	7,5	15	40	20	17	35	14	M8	6,5	M8	27	15	12
05610-132	05610-232	32	60	12,5	20	45	30	18	45	16	M8	6,5	M8	30	16	14
05610-140	05610-240	40	70	15,5	24,5	52	37	22	55	16	M8	8,5	M10	31	16	15
05610-150	05610-250	50	80	21,5	31	66	46	25	65	20	M10	8,5	M10	30	15	15
05610-163	05610-263	63	90	27,5	37,5	80	60	30	80	20	M10	10,5	M12	30	15	15

Order No. swivel to the right	Order No. swivel to the left	Size	D4	D5	H	H1	H2	H3	H4	H5	H6	L	T	T1	F1 kN
05610-112	05610-212	12	M5	4,3	75	104	70	11	51	26	21	40	5	15	0,03
05610-116	05610-216	16	M5	4,3	75	104	70	11	51	26	21	42	4,5	15	0,06
05610-120	05610-220	20	M5	5,5	79	124	74	17	44,5	24	22	46	4,5	20	0,08
05610-125	05610-225	25	M5	8,5	82	125	78	17	44,5	32	-	55	5	20	0,17
05610-132	05610-232	32	G1/8	8,5	96	145	90	22	50	43	-	60	6,5	20	0,27
05610-140	05610-240	40	G1/8	8,5	95	145	90	20	52	40	-	70	8	25	0,45
05610-150	05610-250	50	G1/8	10,5	106	162	100	25	53,5	45	-	85	6,5	30	0,7
05610-163	05610-263	63	G1/8	10,5	106	162	100	28	53,5	36	-	100	8,5	30	1,1