

# Emergency openers



**Material:**

Body plastic PA 6, fibreglass reinforced.  
 Push button plastic PA 6, fibreglass reinforced.  
 Release catch steel.

**Version:**

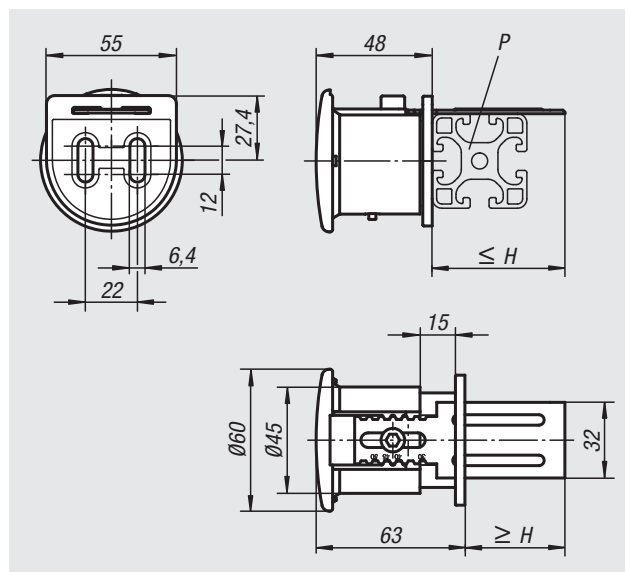
Body black.  
 Push button red.  
 Release catch electro zinc-plated.

**Sample order:**

nIm 05599-93050

**Note:**

Rear-side emergency release for slam latches. Installation with two socket head screws (preferably DIN 912 M6x12), no machining required. Suitable for all slam latches.



Order No.	Slot width	H min.	H max.	P
05599-93050	8/10	30	50	30-50
05599-96080	8/10	60	80	60-80

01000  
02000  
03000  
04000  
05000  
06000  
07000  
08000  
09000  
10000  
12000