

# Slam latches


**Material:**

Die cast aluminium.  
End caps plastic.

**Version:**

Black powder-coated.  
End caps black.

**Sample order:**

nlm 05598-100561

**Note:**

For the simple and safe locking of doors and hatches.  
Installed from the front without mechanical processing  
using M6 cylinder-head or cheese-head screws.  
Secured to prevent removal when locked.

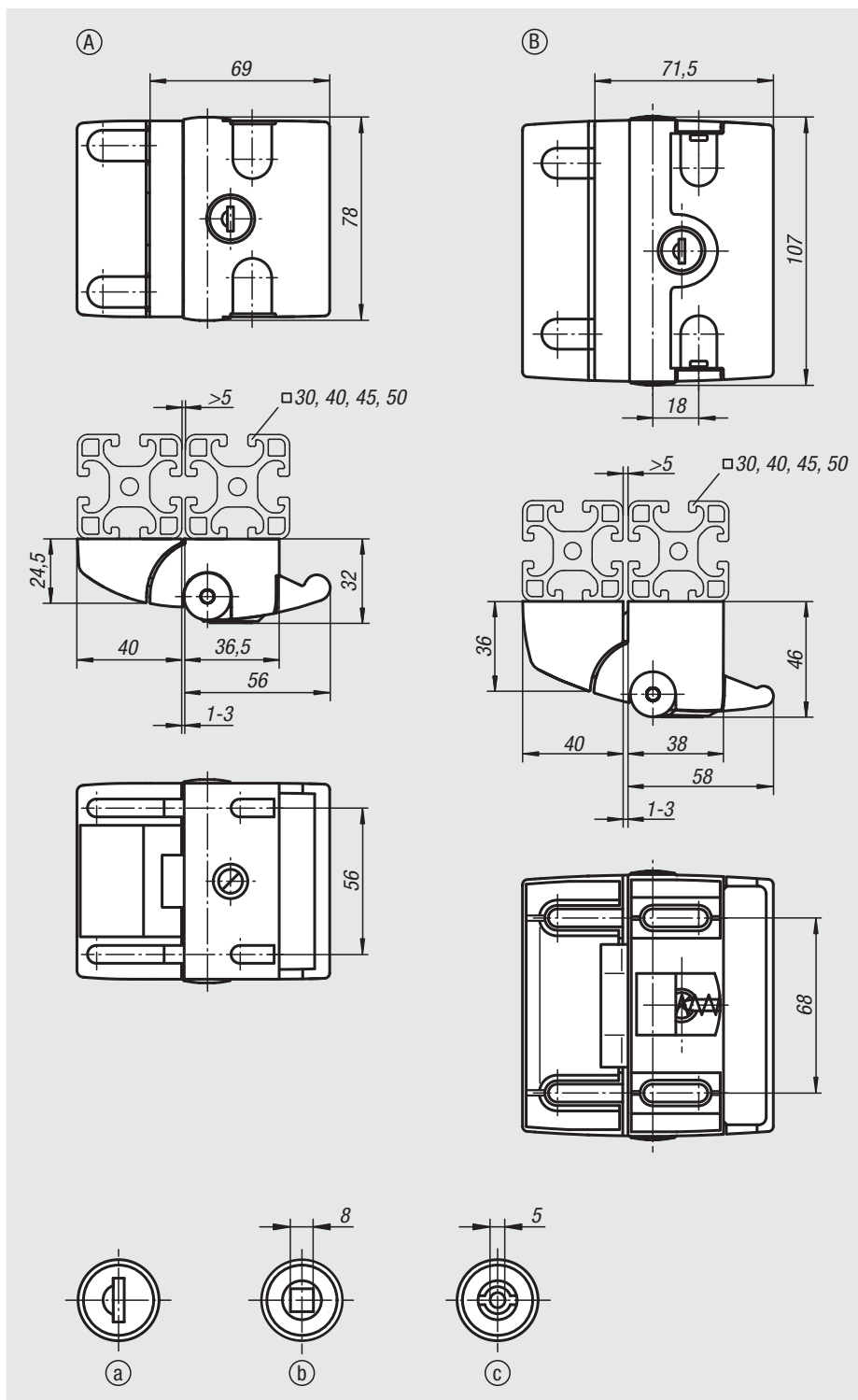
The key-operated version is supplied with 2 keys.  
The key can be removed in both positions (open and  
closed). The locks are keyed alike, i.e. they can all be  
opened using the same key (euro key 5333).

The double-lug version is supplied with a double lug  
key.

**Drawing reference:**

Actuation:

- a) single-key system
- b) square 8 mm
- c) double lug 5 mm



| Order No.    | Form | Slot width | Actuation       |
|--------------|------|------------|-----------------|
| 05598-100561 | A    | 8/10       | not lockable    |
| 05598-170561 | A    | 8/10       | key             |
| 05598-118561 | A    | 8/10       | square 8 mm     |
| 05598-145561 | A    | 8/10       | double lug 5 mm |
| 05598-200681 | B    | 8/10       | not lockable    |
| 05598-270681 | B    | 8/10       | key             |