

Description

Material:

Stainless steel 1.4401.

Version:

Ground and polished or matt abrasive blasted.

Note:

With their countersunk grip, these snap locks are designed for flush installation in doors, hatches and covers.

They are used where inaccessible assembly spaces make it difficult to operate, or where remote actuation is required for ergonomic or safety reasons.

Available in two different sizes for different door leaf thicknesses. Additional security with lockable variants. The locks have a single key system, all locks can be opened with the same key.

The pre-tensioned grip prevents rattling.

The Bowden cable is not supplied.

Max. torque to tighten the screws: 2.4 Nm.

Form A: lockable

Form B: not lockable

Type of operation:

When the grip is actuated, hatches, lids, covers or doors are opened remotely and invisibly with a Bowden cable.

The lock can also be actuated from the rear.

Application:

- Automotive industries
- Machine construction
- Boat and ship building
- Aviation and aerospace
- Motorhomes and caravans
- Medical technology

Assembly:

1. Produce a mounting cutout as shown in the drawing.
2. Secure from the rear using the mounting parts supplied.
3. Connect the Bowden cable.

Advantages:

Actuation possible in inaccessible assembly spaces.

Ergonomically optimised actuating position possible.

Actuation possible even when safety distances are required.

Supplied with:

Mounting bracket with M4 screws and Bowden cable holder are supplied.

The lockable snap locks are each supplied with 2 keys.

Accessory:

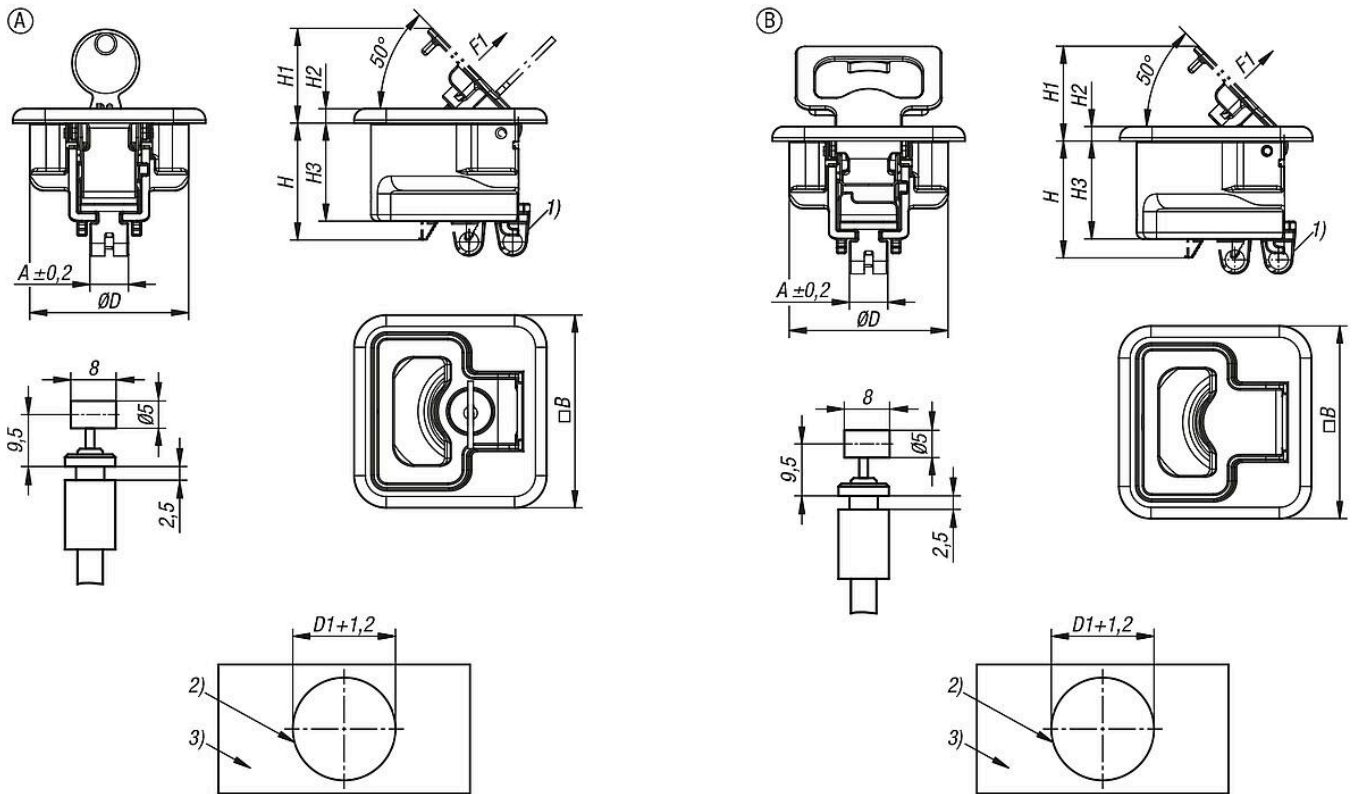
Bowden cable 05596-01.

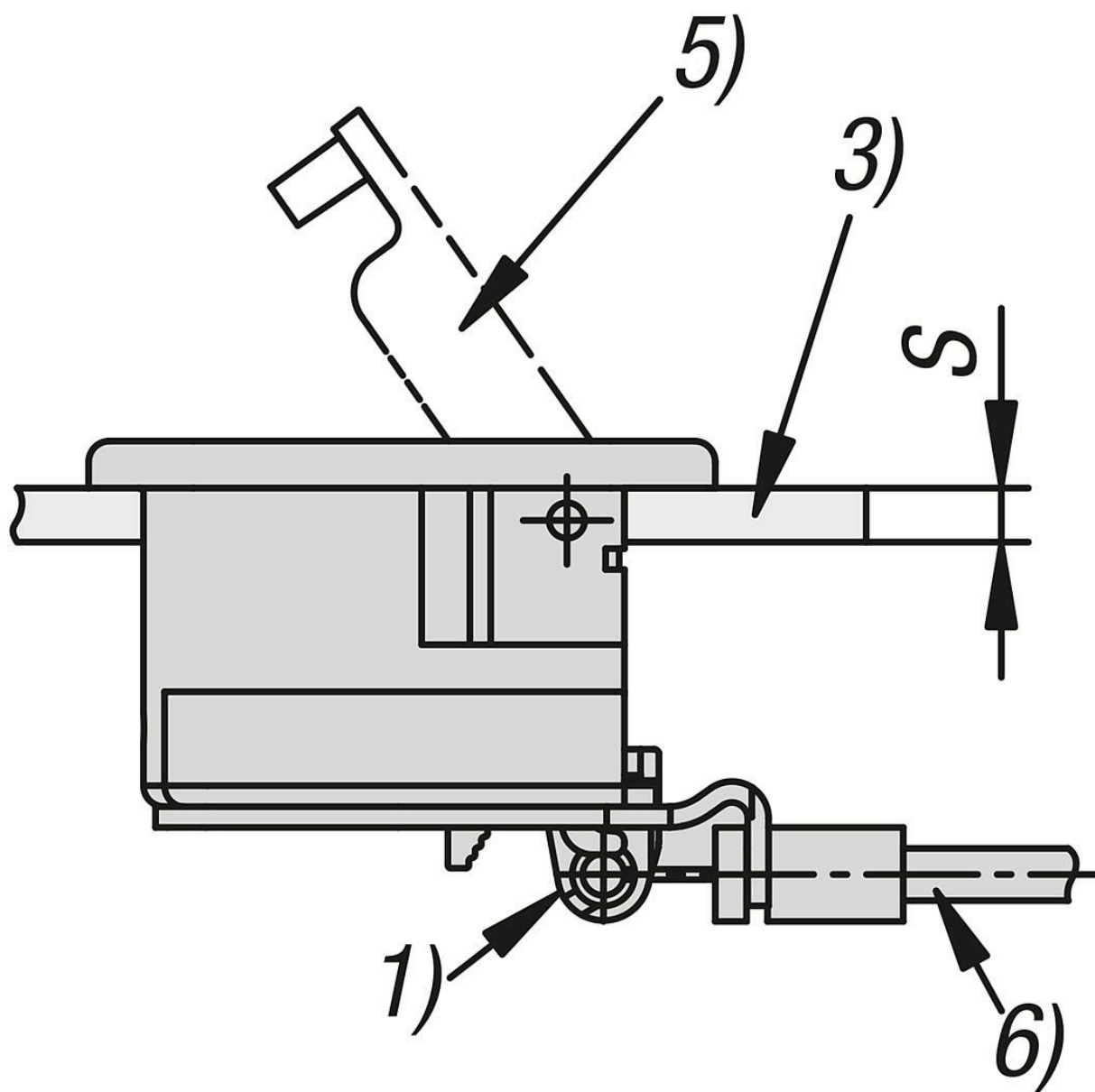
Drawing reference:

- 1) Bowden cable connection

- 2) Mounting cutout
- 3) Door leaf
- 4) Mounting bracket thickness (see H4 in table)
- 5) Grip
- 6) Bowden cable

Drawings





Overview of items

Order No.	Form	Form definition	Surface finish body	A	B	D	D1	H	H1	H2	H3	H4	Traction force F1 N	Temperature range °C	S = Door thickness in mm	Screws
05596-06-1102356044	A	lockable	polished	1060	49,5	50	35,9	26,6	4,5	30,5	23	100	-	2-12	M4x6	
05596-06-1112356044	A	lockable	polished	1060	49,5	50	35,9	26,6	4,5	30,5	12,5	100	-	12-22	M4x20	
05596-06-1102356055	A	lockable	matt blasted	1060	49,5	50	35,9	26,6	4,5	30,5	23	100	-	2-12	M4x6	
05596-06-1112356055	A	lockable	matt blasted	1060	49,5	50	35,9	26,6	4,5	30,5	12,5	100	-	12-22	M4x20	
05596-06-1002356044	B	not lockable	polished	1060	49,5	50	35,9	26,6	4,5	30,5	23	100	-	2-12	M4x6	
05596-06-1012356044	B	not lockable	polished	1060	49,5	50	35,9	26,6	4,5	30,5	12,5	100	-	12-22	M4x20	
05596-06-1002356055	B	not lockable	matt blasted	1060	49,5	50	35,9	26,6	4,5	30,5	23	100	-	2-12	M4x6	
05596-06-1012356055	B	not lockable	matt blasted	1060	49,5	50	35,9	26,6	4,5	30,5	12,5	100	-	12-22	M4x20	

