

# Quarter-turn locks

for sterile areas



### Material:

Quarter-turn lock 1.4305 stainless steel.  
Tongue 1.4301 stainless steel.

### Version:

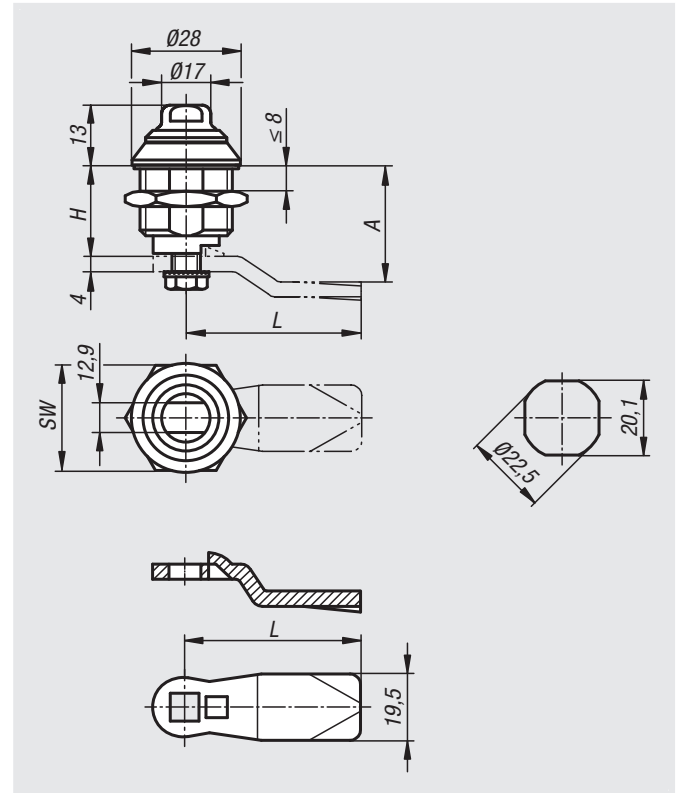
Bright.

### Sample order:

nIm Quarter turn lock 05595-60186  
nIm Tongue 05569-245X180

### Note:

Stainless steel quarter-turn lock with 13 mm AF actuator for applications with hygienic requirements as per EN ISO 14159, EN 1672-2:2009\*. Dust and waterproof as per IP69K. The rounded form and polished surfaces together with the material used make these locks insensitive to cleaning materials and resistant to dirt. The seal between the quarter-turn lock and the door is made using the captive PUR foam seal on the underside of the quarter-turn lock housing.



## Quarter-turn lock for sterile areas

Order No.	Actuation	H	SW
05595-60186	double flat	18	27

## Tongue for quarter-turn lock

Order No.	A for housing length H=18	L
05569-245X180	18	45
05569-245X200	20	45
05569-245X240	24	45
05569-245X280	28	45
05569-245X320	32	45
05569-245X340	34	45
05569-245X360	36	45
05569-245X380	38	45
05569-245X400	40	45
05569-245X420	42	45