

## Quarter-turn locks in Hygienic DESIGN



### Material:

Housing, actuation and fastening nut 1.4404 stainless steel.

O-rings red silicone, conforming to FDA.

Tongue 1.4301 stainless steel.

### Version:

Bright.

### Sample order:

nIm Quarter turn lock 05595-01-18

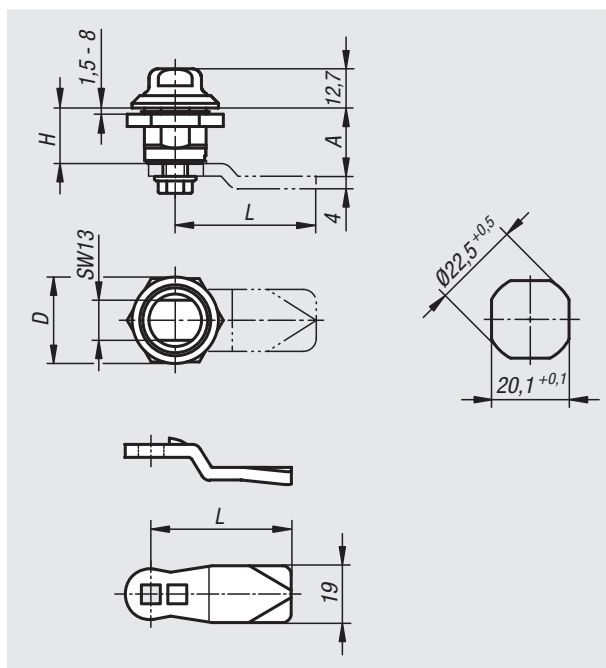
Tongue 05566-07-45060

### Note:

The quarter turn lock fulfills the hygienic requirements acc. to DIN EN 1672-2 and DIN EN 14159.

Especially suitable for the food and beverage industry.

Please order required tongue version separately. Every tongue can be combined with every housing.



## Quarter-turn locks in Hygienic DESIGN

Order No.	Actuation	D	H
05595-01-18	double flat	28	18

## Tongue for quarter-turn lock

Order No.	A	L
05566-07-45060	6	45
05566-07-45080	8	45
05566-07-45100	10	45
05566-07-45140	14	45
05566-07-45160	16	45
05566-07-45180	18	45
05566-07-45200	20	45
05566-07-45220	22	45
05566-07-45240	24	45
05566-07-45260	26	45
05566-07-45280	28	45
05566-07-45320	32	45
05566-07-45500	50	45