

# Quarter-turn locks

stainless steel with L-grip



**Material:**

Grip and tongue 1.4301 stainless steel.  
Housing and nut 1.4305 stainless steel.

**Version:**

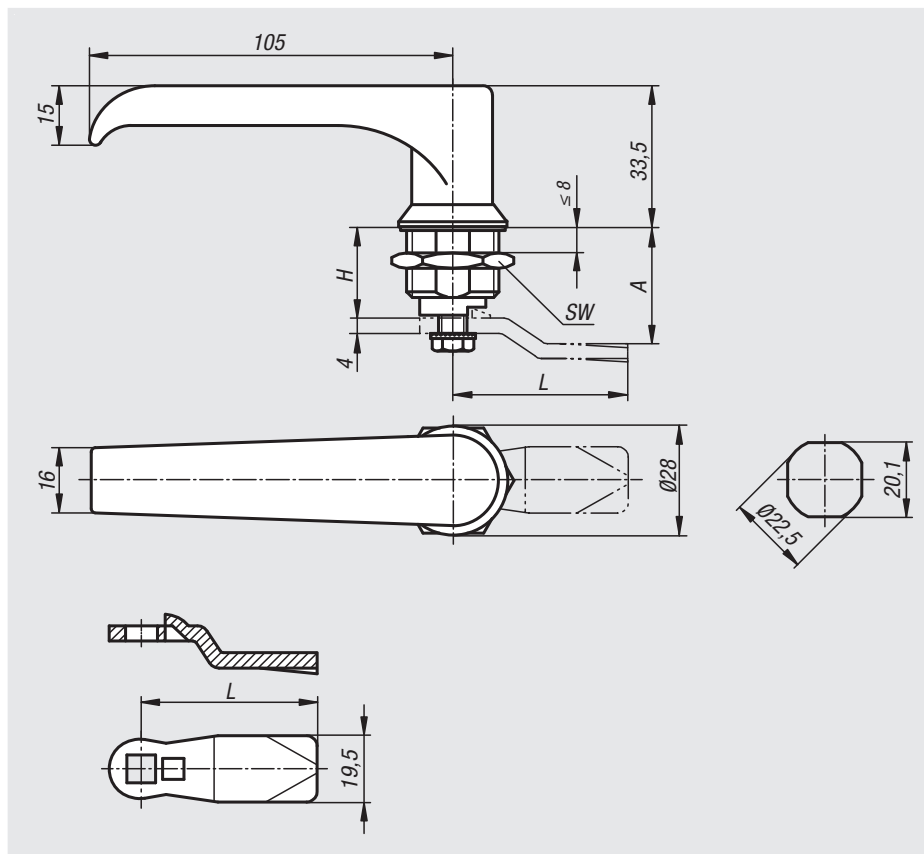
Bright.

**Sample order:**

nIm Quarter turn lock 05594-1186  
nIm Tongue 05569-245X180

**Note:**

Quarter-turn lock with L-grip. For right or left mounting with 90° closing. The quarter-turn lock can be installed pre-assembled. Supplied with standard stainless-steel nut. Rating IP65. Please order required tongue version separately. Every tongue can be combined with this housing.



## Quarter-turn lock, stainless steel with L-grip

Order No.	Actuation	H	SW
05594-1186	L-grip	18	27

## Tongue for quarter-turn lock

Order No.	A for housing length H=18	L
05569-245X180	18	45
05569-245X200	20	45
05569-245X240	24	45
05569-245X280	28	45
05569-245X320	32	45
05569-245X340	34	45
05569-245X360	36	45
05569-245X380	38	45
05569-245X400	40	45
05569-245X420	42	45

01000  
02000  
03000  
04000  
05000  
06000  
07000  
08000  
09000  
10000  
12000