

# Quarter-turn locks

stainless steel with L-grip



**Material:**  
 Quarter-turn lock 1.4401 stainless steel.  
 Tongue 1.4301 stainless steel.

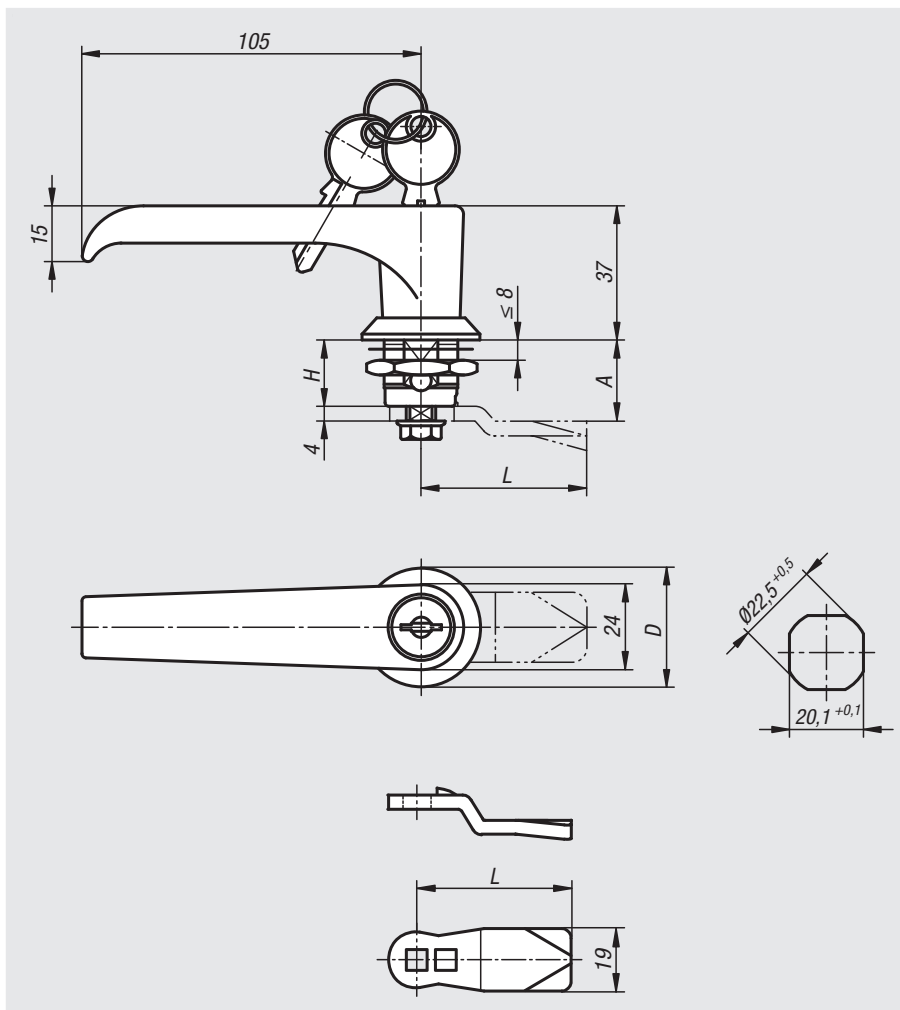
**Version:**  
 Bright.  
 Grip polished.

**Sample order:**  
 nlm Quarter turn lock 05594-02-118  
 nlm Tongue 05566-07-450660

**Note:**  
 Quarter-turn lock with L-grip. For right or left mounting with 90° closing. The quarter-turn lock can be installed pre-assembled. Rating IP65. Please order required tongue version separately. Every tongue can be combined with this housing.

The lockable quarter-turn locks are each supplied with 2 keys. The cylinder locks have a single-key system i.e. the same key works in all locks.

**On request:**  
 Available for door thickness 20 and 40 mm.



## Quarter-turn locks, stainless steel with L-grip

Order No.	Actuation	D	H
05594-02-218	lockable L-grip	32	18
05594-02-118	L-grip	32	18

## Tongue for quarter-turn locks

Order No.	A	L
05566-07-45060	6	45
05566-07-45080	8	45
05566-07-45100	10	45
05566-07-45140	14	45
05566-07-45160	16	45
05566-07-45180	18	45
05566-07-45200	20	45
05566-07-45220	22	45
05566-07-45240	24	45
05566-07-45260	26	45
05566-07-45280	28	45
05566-07-45320	32	45
05566-07-45500	50	45