

Quarter-turn locks

stainless steel with T-grip



Material:

Grip and tongue 1.4301 stainless steel.
Housing and nut 1.4305 stainless steel.

Version:

Bright.

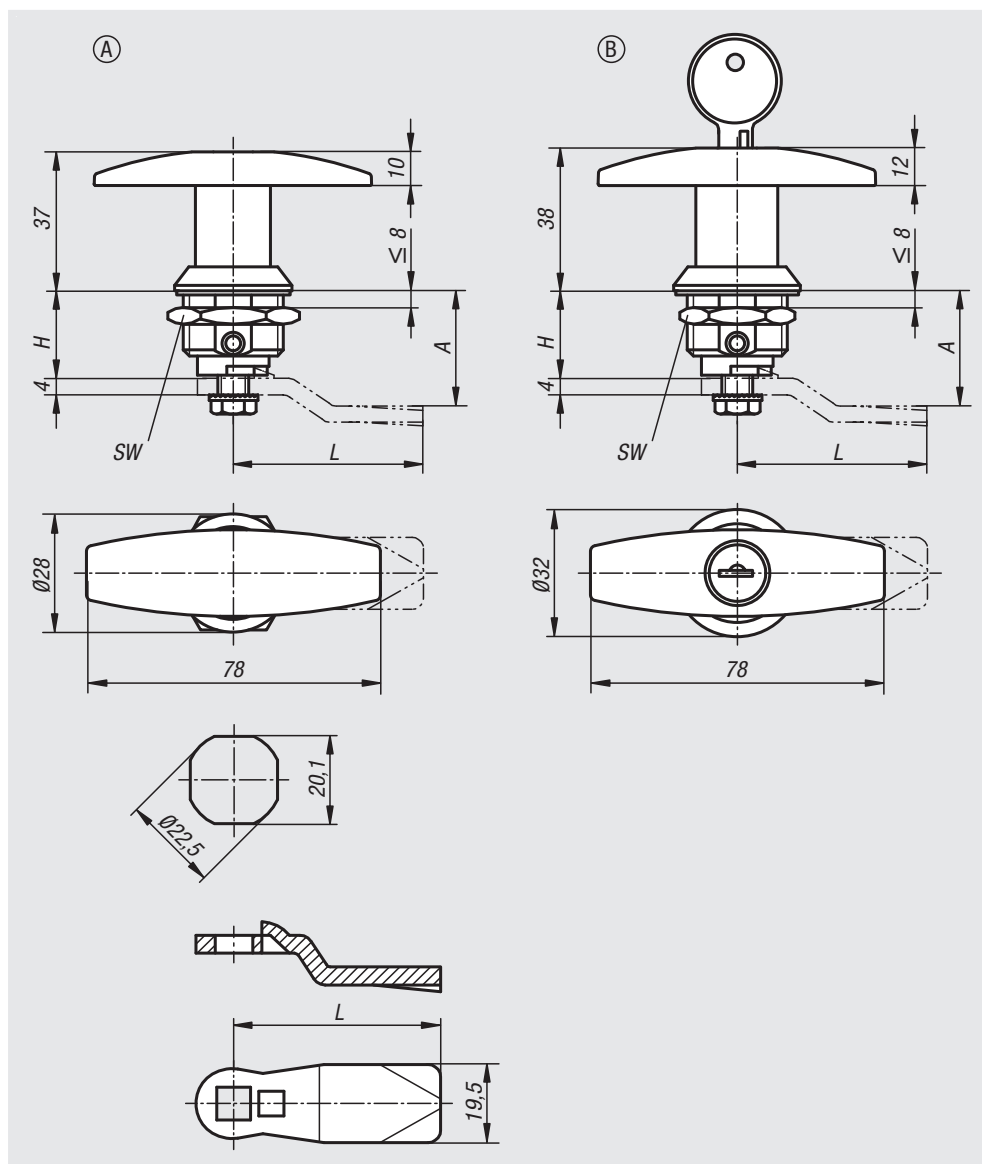
Sample order:

nIm Quarter turn lock 05593-1186
nIm Tongue 05569-245X180

Note:

Quarter-turn lock with T-grip. For right or left mounting with 90° closing. The quarter-turn lock can be installed pre-assembled. Supplied with standard stainless-steel nut. The lockable quarter-turn lock is supplied with 2 keys. The key can be removed in both the closed and open position. The cylinder locks have a single-key system i.e. the same key works in all locks (lock type 1333). Rating IP65.

Order the desired tongue separately. Every tongue can be combined with this housing.



Quarter-turn locks, stainless steel with T-grip

Order No.	Form	Actuation	H	SW
05593-1186	A	T-Grip	18	27
05593-2186	B	lockable T-grip	18	27

Tongue for quarter-turn lock

Order No.	A for housing length H=18	L
05569-245X180	18	45
05569-245X200	20	45
05569-245X240	24	45
05569-245X280	28	45
05569-245X320	32	45
05569-245X340	34	45
05569-245X360	36	45
05569-245X380	38	45
05569-245X400	40	45
05569-245X420	42	45