

# Quarter-turn locks

stainless steel with T-grip



**Material:**

Quarter-turn lock 1.4401 stainless steel.  
Tongue 1.4301 stainless steel.

**Version:**

Bright.  
Grip polished.

**Sample order:**

nIm Quarter turn lock 05593-01-1186  
nIm Tongue 05566-07-450660

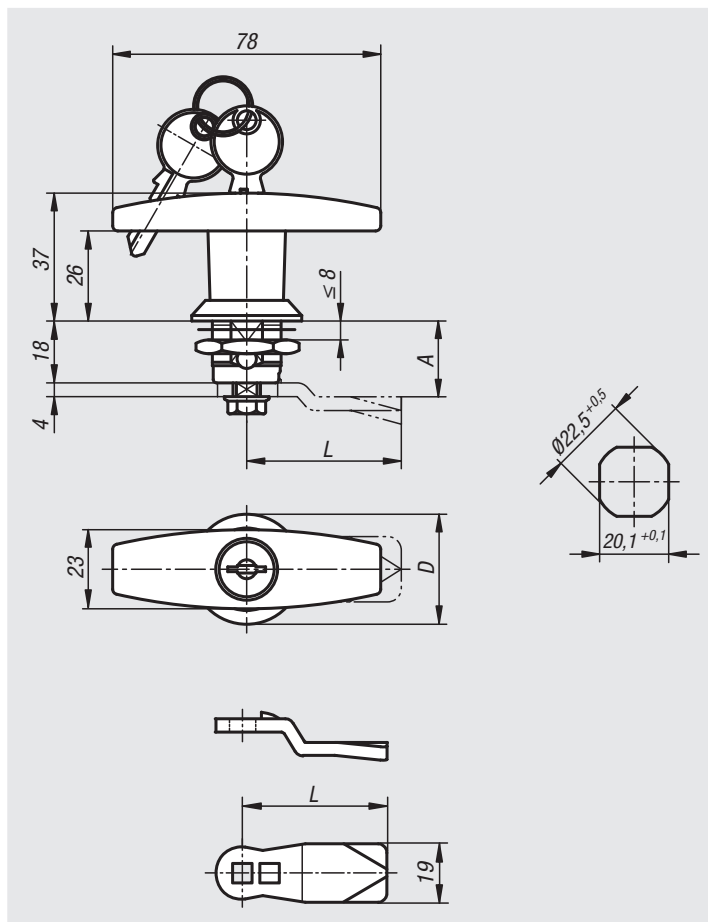
**Note:**

Quarter-turn lock with T-grip. For right or left mounting with 90° closing. The quarter-turn lock can be installed pre-assembled. Supplied with standard stainless-steel nut. The lockable quarter-turn locks are each supplied with 2 keys. Rating IP65. Please order required tongue version separately. Every tongue can be combined with this housing.

The cylinder locks have a single-key system i.e. the same key works in all locks.

**On request:**

Available for door thickness 20 and 40 mm.



## Quarter-turn locks, stainless steel with T-grip

Order No.	Actuation	D
05593-01-1186	T-Grip	32
05593-01-2186	lockable T-grip	32

## Tongue for quarter-turn locks

Order No.	A	L
05566-07-45060	6	45
05566-07-45080	8	45
05566-07-45100	10	45
05566-07-45140	14	45
05566-07-45160	16	45
05566-07-45180	18	45
05566-07-45200	20	45
05566-07-45220	22	45
05566-07-45240	24	45
05566-07-45260	26	45
05566-07-45280	28	45
05566-07-45320	32	45
05566-07-45500	50	45

01000 02000 03000 04000 05000 06000 07000 08000 09000 10000 12000