

# Quarter-turn locks

stainless steel



### Material:

Quarter-turn lock 1.4305 stainless steel.

Tongue 1.4301 stainless steel.

### Version:

Bright.

### Sample order:

nIm Quarter turn lock 05587-40186

nIm Tongue 05569-245X180

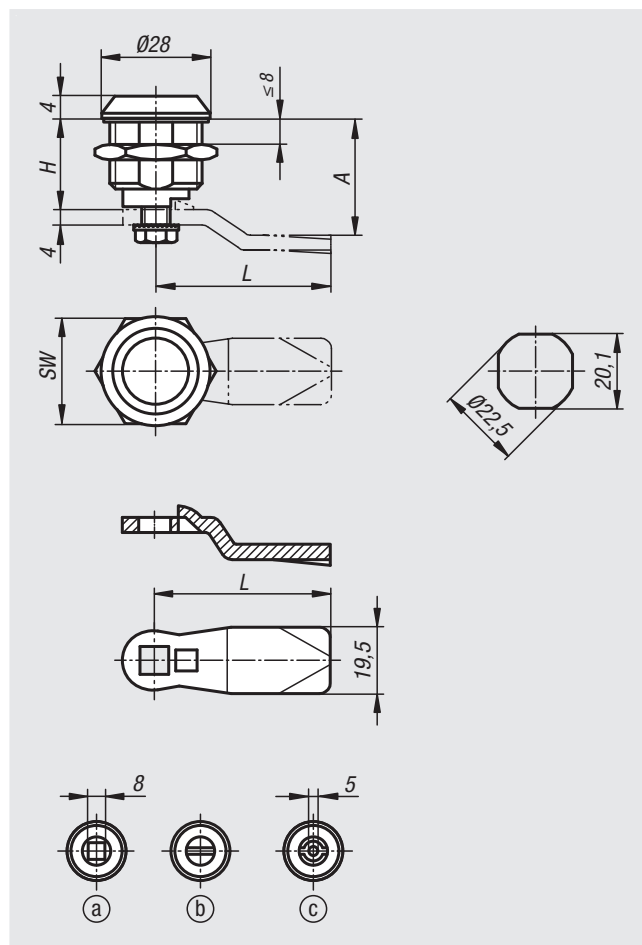
### Note:

Rating IP65. This is achieved using an additional O-ring underneath the actuator and a PUR seal foamed onto the housing. The quarter-turn lock can be installed pre-assembled. Please order the required tongue separately. Every tongue can be combined with this housing.

### Drawing reference:

Actuation:

- a) square 8 mm
- b) slot
- c) double lug 5 mm



## Quarter-turn locks, stainless steel

Order No.	Actuation	H	SW
05587-18186	square 8 mm	18	27
05587-20186	slot	18	27
05587-40186	double lug 5 mm	18	27

## Tongue for quarter-turn locks

Order No.	A for housing length H=18	L
05569-245X180	18	45
05569-245X200	20	45
05569-245X240	24	45
05569-245X280	28	45
05569-245X320	32	45
05569-245X340	34	45
05569-245X360	36	45
05569-245X380	38	45
05569-245X400	40	45
05569-245X420	42	45