

Keys

for quarter-turn locks



Material:

Form A and Form B die-cast zinc.

Form S steel.

Version:

Form A and Form B electro zinc-plated.

Form S nickel-plated.

Sample order:

nIm 05586-16

Note:

Keys for actuating quarter-turn locks.

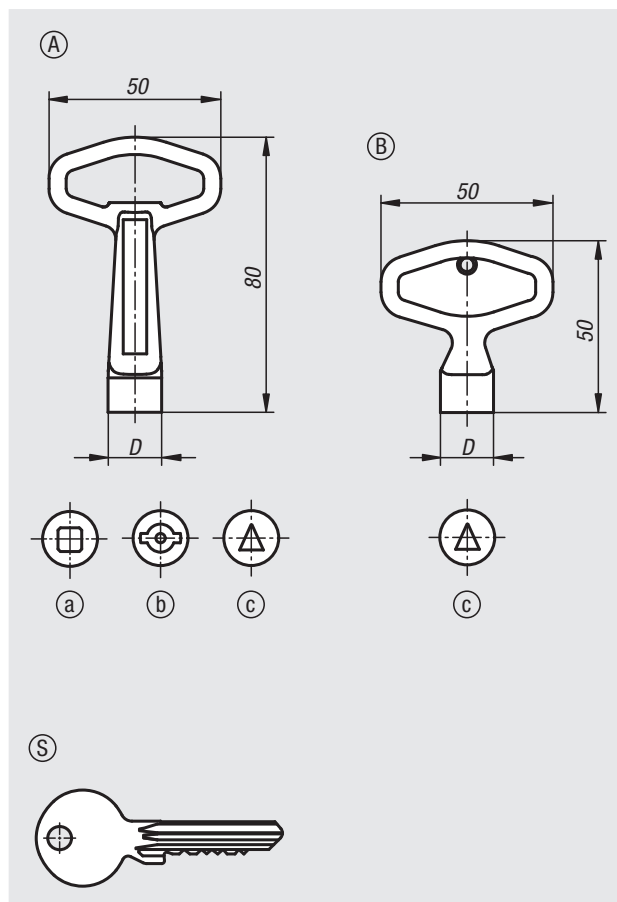
Form S are supplied in pairs.

Drawing reference:

a) square

b) double lug

c) triangle



Order No.	Form	Version 1	D
05586-16	A	square 6 mm	11,6
05586-17	A	square 7 mm	15,5
05586-18	A	square 8 mm	15,5
05586-88	A	triangle 8 mm	15,5
05586-43	A	double lug 3 mm	15,5
05586-45	A	double lug 5 mm	15,5
05586-865	B	triangle 6.5 mm	11,6
05586-2233	S	lock 2233	-
05586-1333	S	lock 1333	-
05586-101	S	lock 101	-