

Dust caps

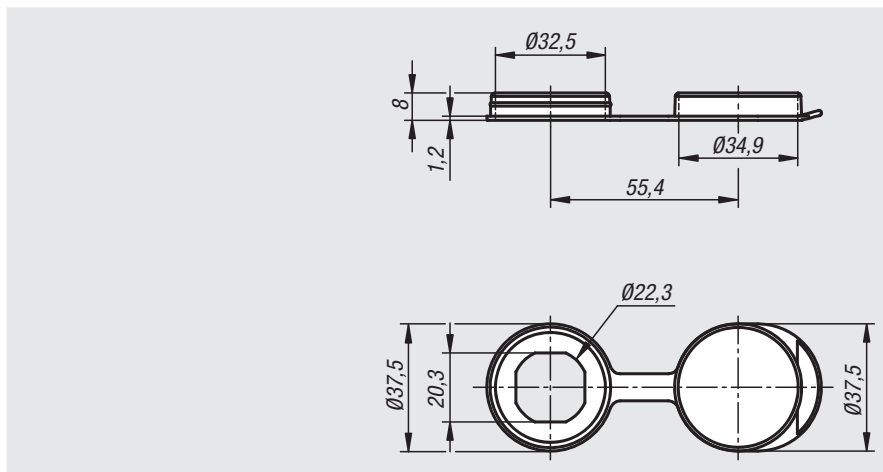


Material:
Plastic PP.

Version:
black.

Sample order:
nlm 05584-202232

Note:
Dust caps for compression latches with a head diameter up to max. 32 mm. It offers increased protection from dust and moisture. If the dust cap is used, dimension "A" of the compression latch is reduced by 1 mm.



Order No.	Item
05584-202232	Cap

Opening grips

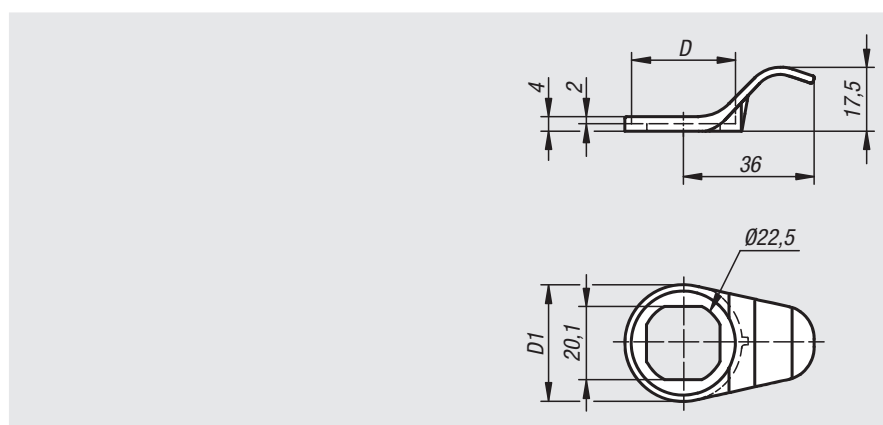


Material:
Plastic PA6, fibreglass reinforced.

Version:
black.

Sample order:
nlm 05585-202228

Note:
Practical opening handle for quarter-turn locks with a head diameter of max. 32 mm. Where the opening handle is used, dimension "A" of the quarter-turn lock is reduced by 2 mm.



Order No.	D max.	D1
05585-202228	28,5	32
05585-202232	32,5	36