

Quarter-turn locks

free-turning



Material:

Housing and actuator die-cast zinc.

Nut brass.

Tongue steel.

Version:

Housing trivalent blue passivated.

Lever black KTL coated.

Tongue electro zinc-plated.

Sample order:

nIm 05577-22224

Note:

Particularly suitable for steel cabinets, lockers in changing rooms, schools, leisure facilities and industrial companies.

Method of operation:

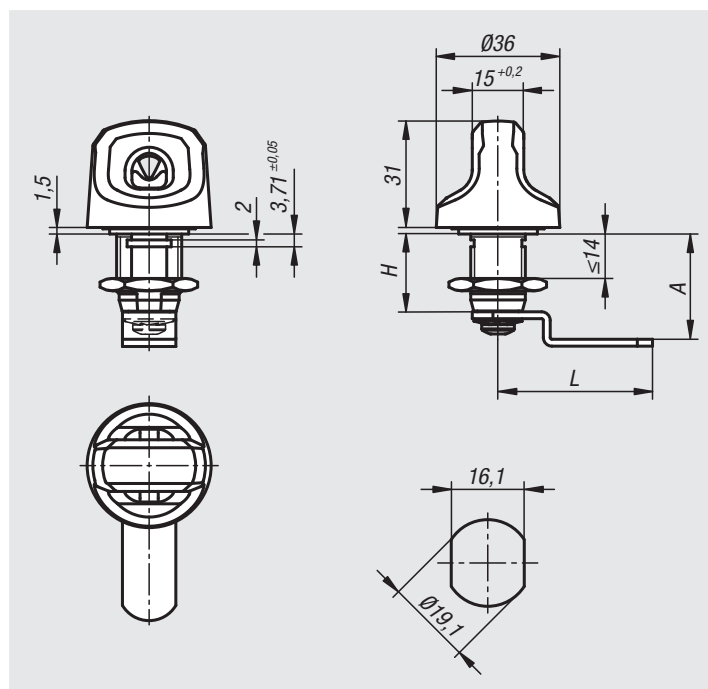
The integrated free-turning function provides higher security against violent actuation compared to conventional locks.

Assembly:

The quarter-turn lock can be installed pre-assembled.

Attention:

Optimum functionality is guaranteed with padlocks with a shackle diameter of $\varnothing 6 - \varnothing 8$ mm.



Order No.	A	L	H
05577-22224	22,4	44	22,4
05577-22248	24,8	42	22,4
05577-22304	30,4	45	22,4
05577-22359	35,9	49	22,4
05577-22424	42,4	45	22,4