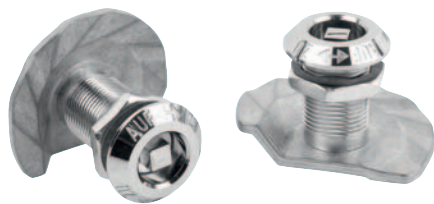


Quarter-turn locks

with cam tongue



Material:

Housing, actuator and tongue die-cast zinc.

Nut steel.

Flat seal rubber.

Version:

Housing and actuator trivalent passivated.

Tongue blank.

Nut electro zinc-plated.

Sample order:

nlm 05576-17301

Note:

Quarter-turn locks with stepped cam are primarily used for doors and housings that require a higher pressure force on the seal. For right or left use. The locking process is always clockwise. The compression gap can be increased incrementally up to 9.5 mm at a maximum turning angle of 270° by turning the actuator clockwise.

Protected from water and dust to IP65.

Accessories:

Lock key 05586

Drawing reference:

Actuation:

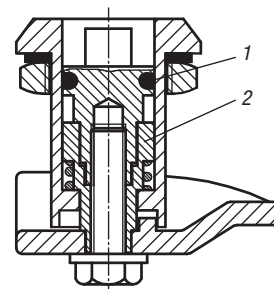
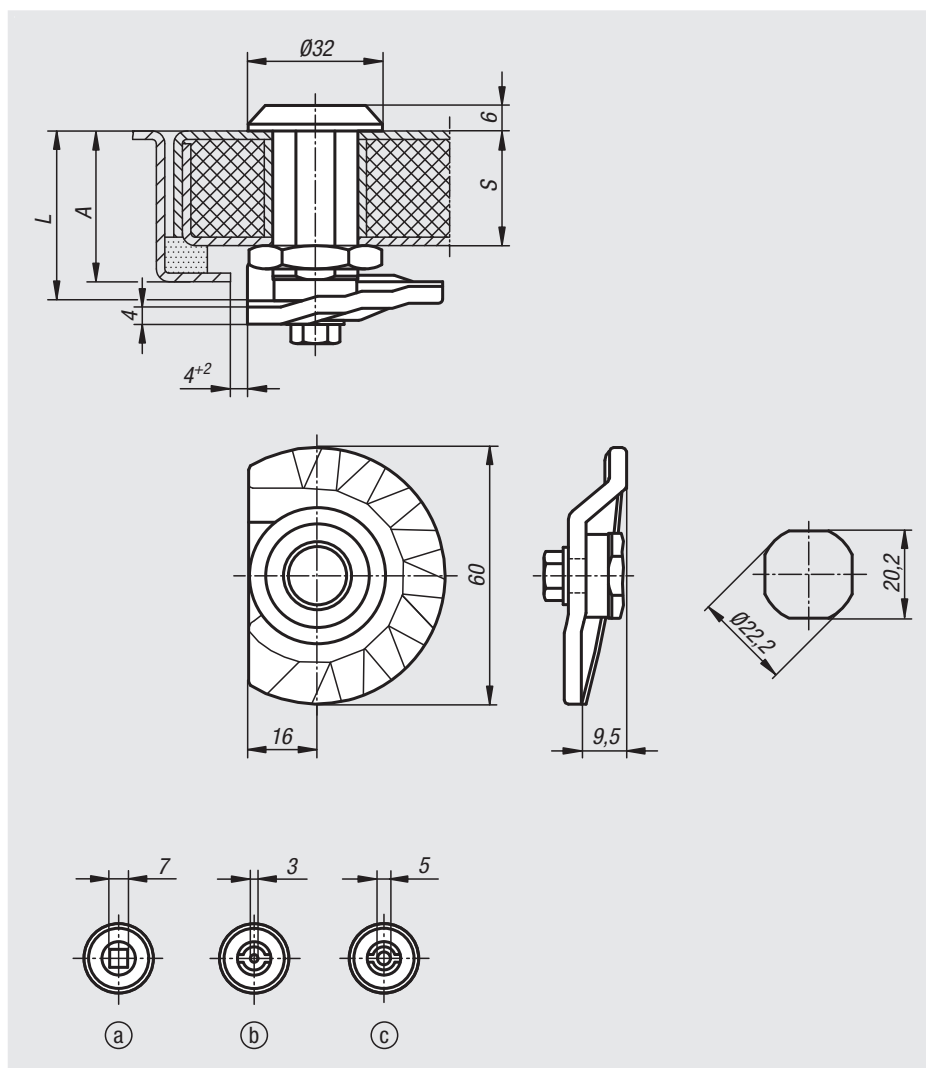
a) square 7 mm

b) double lug 3 mm

c) double lug 5 mm

1) O-ring

2) Adapter



Order No.	Actuation	A	L	S max.
05576-17301	square 7 mm	30 -9,5	30	20
05576-17401	square 7 mm	40 -9,5	40	30
05576-17501	square 7 mm	50 -9,5	50	40
05576-17601	square 7 mm	60 -9,5	60	50
05576-43301	double lug 3 mm	30 -9,5	30	20
05576-43401	double lug 3 mm	40 -9,5	40	30
05576-43501	double lug 3 mm	50 -9,5	50	40
05576-43601	double lug 3 mm	60 -9,5	60	50
05576-45301	double lug 5 mm	30 -9,5	30	20
05576-45401	double lug 5 mm	40 -9,5	40	30
05576-45501	double lug 5 mm	50 -9,5	50	40
05576-45601	double lug 5 mm	60 -9,5	60	50