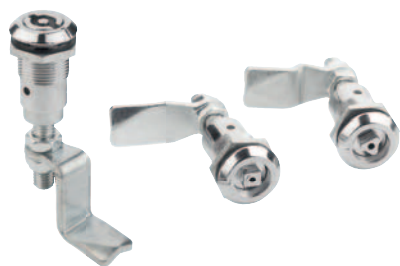


# Compression latches

with adjustable tongue height



**Material:**

Housing, actuator and nut die-cast zinc.  
Flat seal CR.  
Tongue steel.

**Version:**

Housing and actuator trivalent passivated.  
Nut and tongue electro zinc-plated.

**Sample order:**

nIm Quarter-turn lock 05575-18351  
nIm Tongue 05570-145X040 (include tongue gap "A")

**Note:**

Compression quarter-turn locks are primarily used for doors and housings that require a higher pressure force on the seal. For right or left use. The locking process is always clockwise. The quarter-turn lock can be installed pre-assembled. Vibration-resistant thanks to spring-loaded detent mechanism in the „locked“ end position. Tested according to DIN EN 60068-2-64 (vibration) and DIN EN 60068-2-27 (shock), test standard 61373. Vibration-proof as per the requirements for rail applications category 1, class B (=highest requirement).

Water and dustproof as per IP65.

Please order required tongue version separately. Every tongue can be combined with every housing.

**Function:**

Turning the actuator clockwise rotates the tongue 90° and brings it into the closed position. A further 90° rotation pulls the tongue in, increasing the pressure on the frame. The axial travel is 6 mm. With marking on housing for „locked“ position.

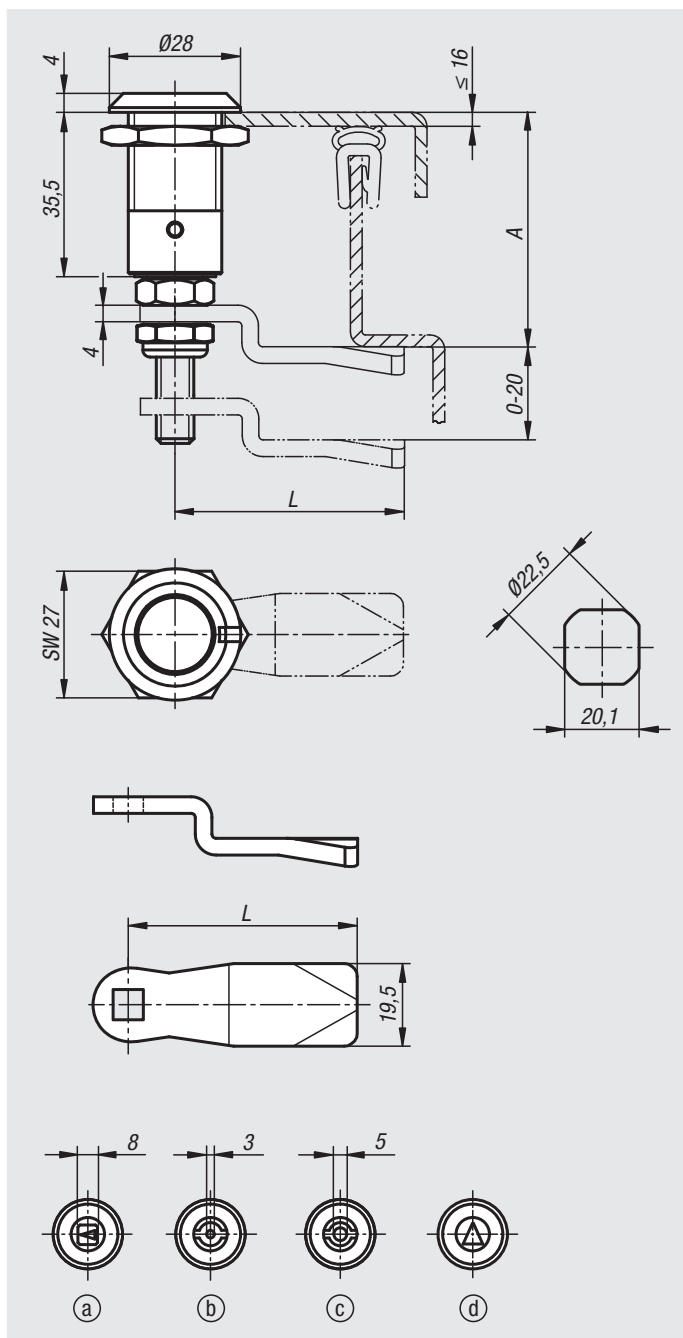
**Accessories:**

Lock key 05586

**Drawing reference:**

Actuation:

- a) square 8 mm
- b) double lug 3 mm
- c) double lug 5 mm
- d) triangle 8 mm



### Compression latches with adjustable tongue gap

Order No.	Actuation
05575-18351	square 8 mm
05575-43351	double lug 3 mm
05575-45351	double lug 5 mm
05575-88351	triangle 8 mm

### Tongue for quarter-turn lock

Order No.	A for housing length H=35.5	L
05570-145X	21,5/23,5/25,5/27,5/29,5/31,5/33,5/35,5/37,5/39,5/41,5/43,5/45,5/47,5/49,5/51,5/53,5/55,5/57,5/59,5/61,5/63,5/65,5/67,5	45
05570-135X	33,5/35,5/37,5/39,5/41,5	35

01000 02000 03000 04000 05000 06000 07000 08000 09000 10000 12000