

Compression latches



Material:

Housing, actuator and nut die-cast zinc.

Flat seal CR.

Tongue steel.

Version:

Housing and actuator trivalent passivated.

Nut and tongue electro zinc-plated.

Sample order:

nIm Quarter-turn lock 05574-18351

nIm Tongue 05570-145X040 (include tongue gap "A")

Note:

Compression quarter-turn locks are primarily used for doors and housings that require a higher pressure force on the seal. For right or left use. The locking process is always clockwise. The quarter-turn lock can be installed pre-assembled. Vibration-resistant thanks to spring-loaded detent mechanism in the „locked“ end position. Tested according to DIN EN 60068-2-64 (vibration) and DIN EN 60068-2-27 (shock), test standard 61373. Vibration-proof as per the requirements for rail applications category 1, class B (=highest requirement).

Water and dustproof as per IP65.

Please order required tongue version separately. Every tongue can be combined with every housing.

Function:

Turning the actuator clockwise rotates the tongue 90° and brings it into the closed position. A further 90° rotation pulls the tongue in, increasing the pressure on the frame. The axial travel is 6 mm. With marking on housing for „locked“ position.

Accessories:

Lock key 05586

Drawing reference:

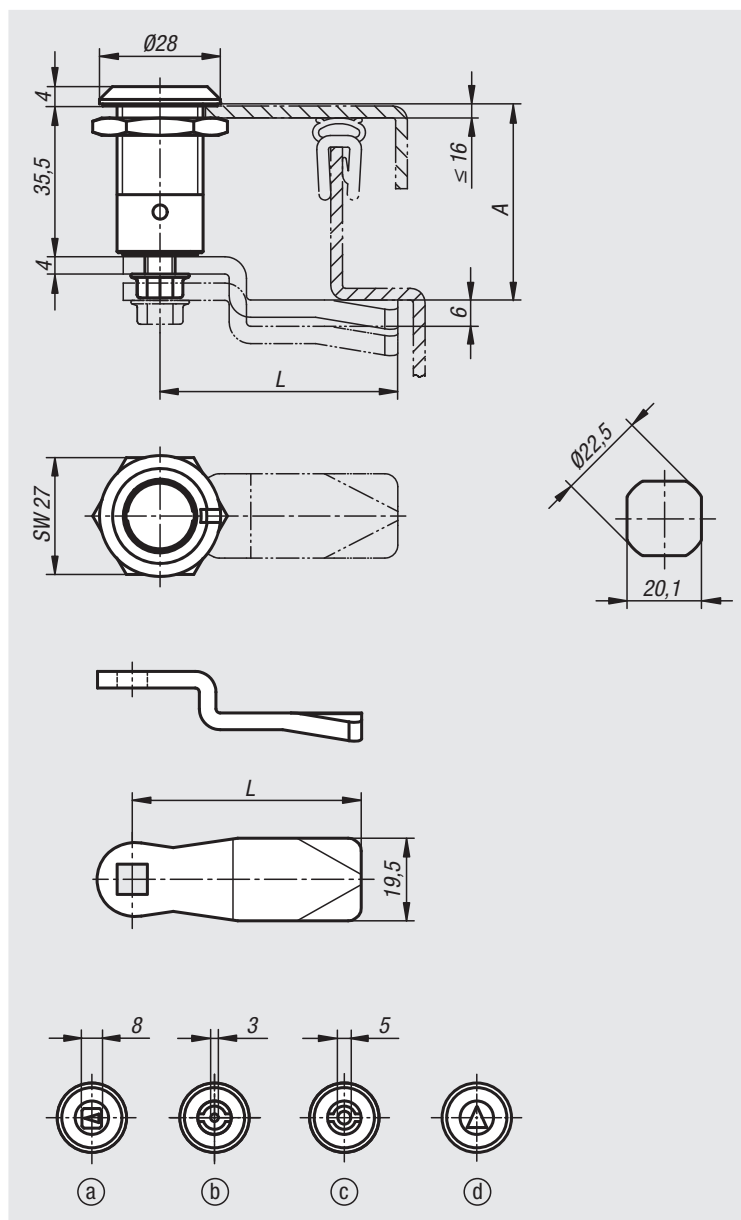
Actuation:

a) square 8 mm

b) double lug 3 mm

c) double lug 5 mm

d) triangle 8 mm



Compression latches

Order No.	Actuation
05574-18351	square 8 mm
05574-43351	double lug 3 mm
05574-45351	double lug 5 mm
05574-88351	triangle 8 mm

Tongue for quarter-turn lock

Order No.	A for housing length H=35.5	L
05570-145X	21,5/23,5/25,5/27,5/29,5/31,5/33,5/35,5/37,5/39,5/41,5/43,5/45,5/47,5/49,5/51,5/53,5/55,5/57,5/59,5/61,5/63,5/65,5/67,5	45
05570-135X	33,5/35,5/37,5/39,5/41,5	35