

Quarter-turn locks

with L-grip



Material:

Housing, actuator and nut die-cast zinc.
O-ring NBR, flat seal CR.
Tongue steel.

Version:

Housing and actuator, black, powder-coated.
Nut and tongue, electro zinc-plated.

Sample order:

nIm Quarter-turn lock 05573-1182
nIm Tongue 05569-145X040 (include tongue gap "A")

Note:

Right or left mounting with 90° closing. The quarter-turn lock can be installed pre-assembled (limitations by a small A-dimension and thick doors). The fastening nut has claws allowing it to be used as an earthing nut.

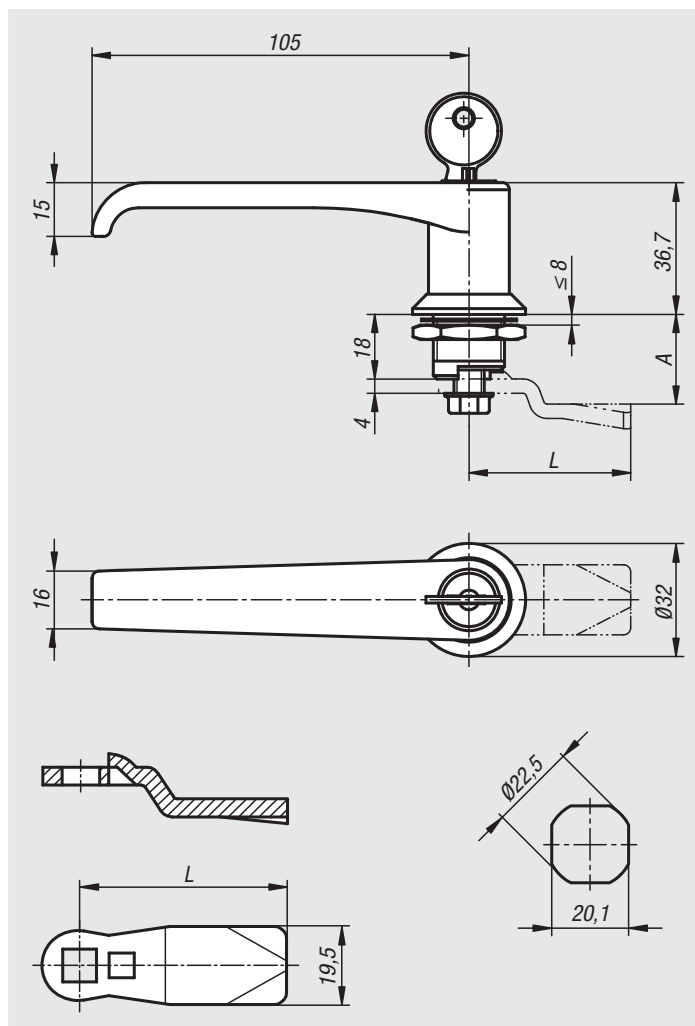
Water and dust proof as per IP65 through the O-ring and flat seal.

The lockable quarter-turn locks are supplied with 2 keys. The key can be removed in both positions (open and closed). The cylinder locks have a single-key system, i.e. the same key works in all locks (lock type 101 or 1333).

Order required tongue version separately. Every tongue can be combined with every housing.

Accessories:

Lock key 05586



Quarter-turn locks with L-grip

Order No.	Actuation	Version
05573-1182	L-grip	-
05573-2182	lockable L-grip	lock 101
05573-3182	lockable L-grip	lock 1333

Tongue for quarter-turn lock

Order No.	A for housing length H=18	L
05569-145X	4/6/8/10/12/14/16/18/20/22/24/26/28/30/32/34/36/38/40/42	45
05569-135X	16/18/20/22/24	35