

Item description/product images



**Description**

**Material:**

Steel.

**Version:**

Electro zinc-plated.

**Note:**

A\* in mm for housing length H=18, H=26.1 or 35.5 mm.

**Accessory:**

Quarter-turn locks 05566.

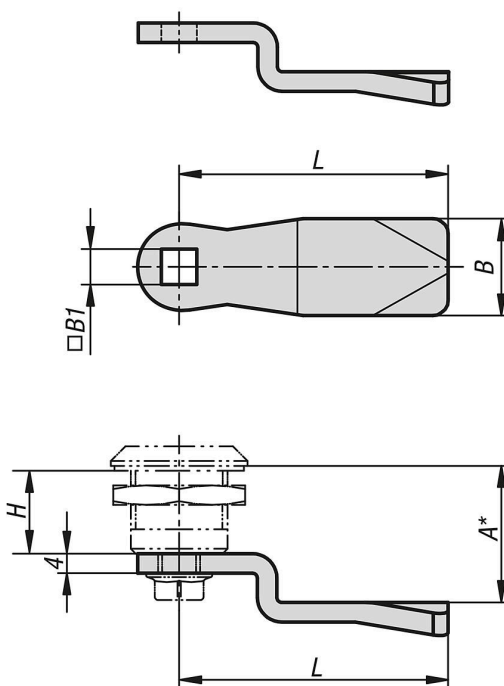
Quarter-turn locks with wing grip 05571.

Compression latches 05574.

Compression latches with adjustable tongue height 05575.

Quarter-turn lock zinc, for fire services, DIN 14925 05578-10.

Drawings



Overview of items

Order No.	Version 1	Version 2	B	B1	A by H=18	A by H=26,1	A by H=35,5	L	Suitable for
05570-145X040	without stop	offset upwards	19,5	8,1	4	12,1	21,5	45	05578-10, 05574, 05575, 05566, 05571
05570-145X060	without stop	offset upwards	19,5	8,1	6	14,1	23,5	45	05578-10, 05574, 05575, 05566, 05571
05570-145X080	without stop	offset upwards	19,5	8,1	8	16,1	25,5	45	05578-10, 05574, 05575, 05566, 05571
05570-145X100	without stop	offset upwards	19,5	8,1	10	18,1	27,5	45	05578-10, 05574, 05575, 05566, 05571
05570-145X120	without stop	offset upwards	19,5	8,1	12	20,1	29,5	45	05578-10, 05574, 05575, 05566, 05571
05570-145X140	without stop	offset upwards	19,5	8,1	14	22,1	31,5	45	05578-10, 05574, 05575, 05566, 05571
05570-145X160	without stop	offset upwards	19,5	8,1	16	24,1	33,5	45	05578-10, 05574, 05575, 05566, 05571
05570-145X180	without stop	straight	19,5	8,1	18	26,1	35,5	45	05578-10, 05574, 05575, 05566, 05571
05570-145X200	without stop	offset downwards	19,5	8,1	20	28,1	37,5	45	05578-10, 05574, 05575, 05566, 05571
05570-145X220	without stop	offset downwards	19,5	8,1	22	30,1	39,5	45	05578-10, 05574, 05575, 05566, 05571
05570-145X240	without stop	offset downwards	19,5	8,1	24	32,1	41,5	45	05578-10, 05574, 05575, 05566, 05571

## Overview of items

Order No.	Version 1	Version 2	B	B1	A by H=18	A by H=26,1	A by H=35,5	L	Suitable for
05570-145X260	without stop	offset downwards	19,5	8,1	26	34,1	43,5	45	05578-10, 05574, 05575, 05566, 05571
05570-145X280	without stop	offset downwards	19,5	8,1	28	36,1	45,5	45	05578-10, 05574, 05575, 05566, 05571
05570-145X300	without stop	offset downwards	19,5	8,1	30	38,1	47,5	45	05578-10, 05574, 05575, 05566, 05571
05570-145X320	without stop	offset downwards	19,5	8,1	32	40,1	49,5	45	05578-10, 05574, 05575, 05566, 05571
05570-145X340	without stop	offset downwards	19,5	8,1	34	42,1	51,5	45	05578-10, 05574, 05575, 05566, 05571
05570-145X360	without stop	offset downwards	19,5	8,1	36	44,1	53,5	45	05578-10, 05574, 05575, 05566, 05571
05570-145X380	without stop	offset downwards	19,5	8,1	38	46,1	55,5	45	05578-10, 05574, 05575, 05566, 05571
05570-145X400	without stop	offset downwards	19,5	8,1	40	48,1	57,5	45	05578-10, 05574, 05575, 05566, 05571
05570-145X420	without stop	offset downwards	19,5	8,1	42	50,1	59,5	45	05578-10, 05574, 05575, 05566, 05571
05570-145X440	without stop	offset downwards	19,5	8,1	44	52,1	61,5	45	05578-10, 05574, 05575, 05566, 05571
05570-145X460	without stop	offset downwards	19,5	8,1	46	54,1	63,5	45	05578-10, 05574, 05575, 05566, 05571
05570-145X480	without stop	offset downwards	19,5	8,1	48	56,1	65,5	45	05578-10, 05574, 05575, 05566, 05571
05570-145X500	without stop	offset downwards	19,5	8,1	50	58,1	67,5	45	05578-10, 05574, 05575, 05566, 05571
05570-135X160	without stop	offset upwards	19,5	8,1	16	24,1	33,5	35	05578-10, 05574, 05575, 05566, 05571
05570-135X180	without stop	straight	19,5	8,1	18	26,1	35,5	35	05578-10, 05574, 05575, 05566, 05571
05570-135X200	without stop	offset downwards	19,5	8,1	20	28,1	37,5	35	05578-10, 05574, 05575, 05566, 05571
05570-135X220	without stop	offset downwards	19,5	8,1	22	30,1	39,5	35	05578-10, 05574, 05575, 05566, 05571
05570-135X240	without stop	offset downwards	19,5	8,1	24	32,1	41,5	35	05578-10, 05574, 05575, 05566, 05571