

Quarter-turn locks

long version



Material:

Housing and actuator die-cast zinc.
Tongue steel.

Version:

Housing and actuator trivalent passivated.
Tongue electro zinc-plated.

Sample order:

nIm Quarter-turn lock 05568-18301
nIm Tongue 05569-145X040

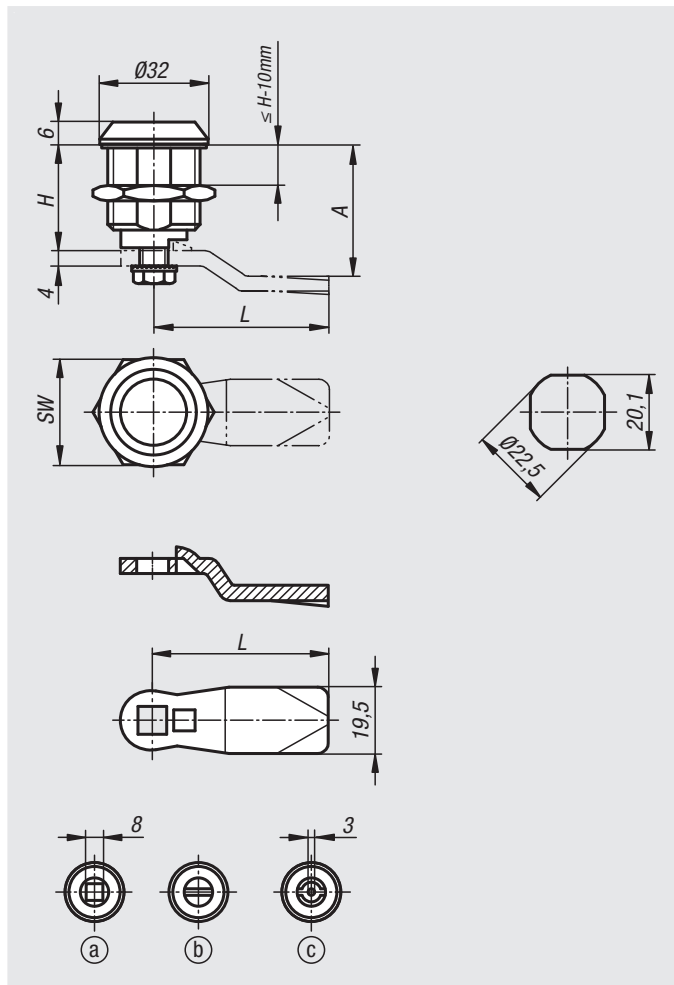
Note:

Rating IP65. This is achieved using an additional O-ring underneath the actuator and a flat seal attached to the housing. The quarter-turn lock can be installed pre-assembled. Please order the required tongue separately. Every tongue can be combined with this housing.

Drawing reference:

Actuation:

- a) square 8 mm
- b) slot
- c) double lug 3 mm



Quarter-turn locks

long version

Quarter-turn lock, long version

Order No.	H	Actuation	SW
05568-18301	30	square 8 mm	27
05568-40301	30	double lug 3 mm	27
05568-20301	30	slot	27
05568-18401	40	square 8 mm	27
05568-40401	40	double lug 3 mm	27
05568-20401	40	slot	27
05568-18501	50	square 8 mm	27
05568-40501	50	double lug 3 mm	27
05568-20501	50	slot	27

Tongue for quarter-turn locks

Order No.	A for housing length H=30	A for housing length H=40	A for housing length H=50	L
05569-145X040	16	26	36	45
05569-145X060	18	28	38	45
05569-145X080	20	30	40	45
05569-145X100	22	32	42	45
05569-145X120	24	34	44	45
05569-145X140	26	36	46	45
05569-145X160	28	38	48	45
05569-145X180	30	40	50	45
05569-145X200	32	42	52	45
05569-145X220	34	44	54	45
05569-145X240	36	46	56	45
05569-145X260	38	48	58	45
05569-145X280	40	50	60	45
05569-145X300	42	52	62	45
05569-145X320	44	54	64	45
05569-145X340	46	56	66	45
05569-145X360	48	58	68	45
05569-145X380	50	60	70	45
05569-145X400	52	62	72	45
05569-145X420	54	64	74	45