

Quarter-turn locks

polyamide



Material:

Housing and actuator PA6 fibreglass reinforced plastic.
 Nut die-cast zinc.
 O-ring NBR, flat seal CR.
 Tongue steel.

Version:

Housing and actuator black.
 Nut and tongue electro zinc-plated.

Sample order:

nIm Quarter-turn lock 05567-17185
 nIm Tongue 05569-145X040 (include tongue gap "A")

Note:

Quarter-turn lock with spring-loaded tongue. Right or left mounting with 90° closing. The quarter-turn lock can be installed pre-assembled (limitations by a small A-dimension and thick doors).

Water and dust proof as per IP65 through the O-ring and flat seal.

Order required tongue version separately. Every tongue can be combined with every housing.

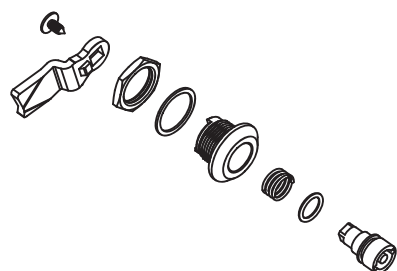
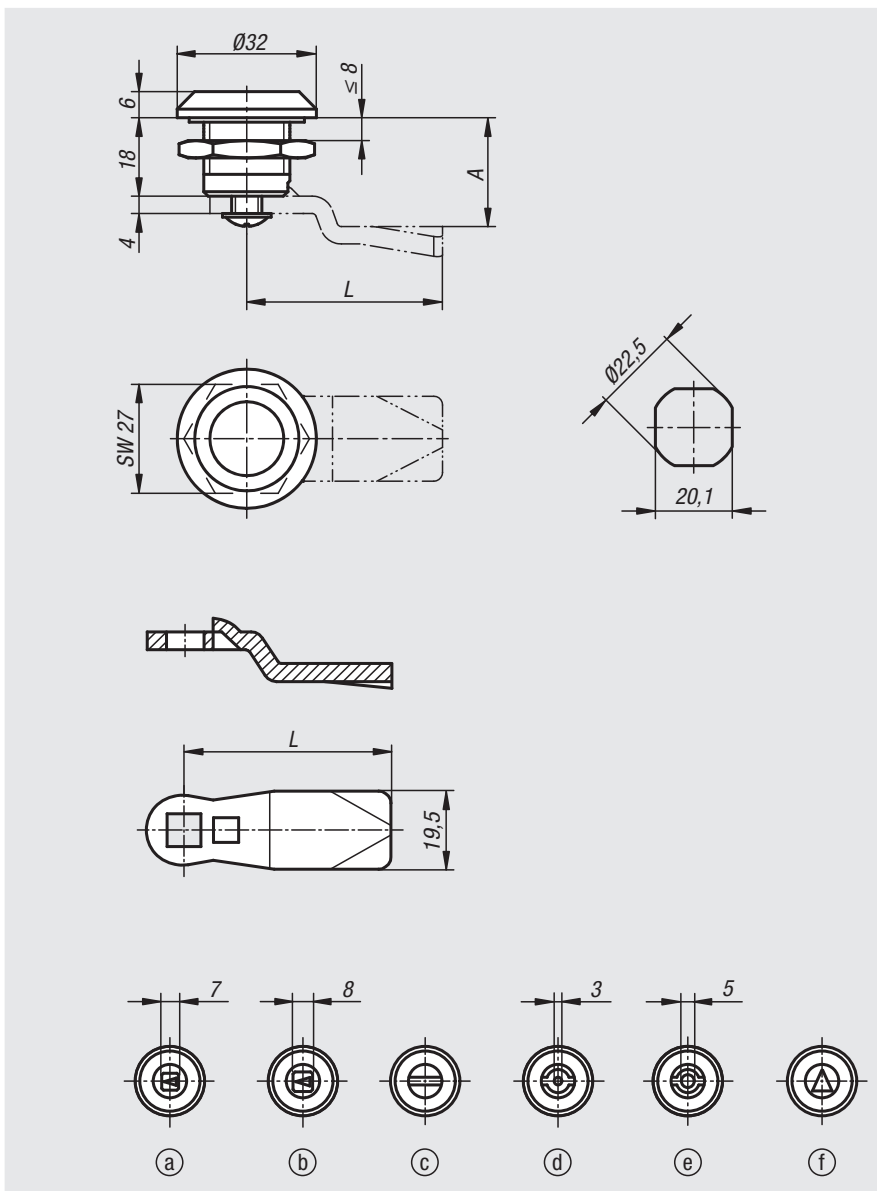
Accessories:

Lock key 05586

Drawing reference:

Actuation:

- a) square 7 mm
- b) square 8 mm
- c) slot
- d) double lug 3 mm
- e) double lug 5 mm
- f) triangle 8 mm



Quarter-turn locks polyamide

Order No.	Actuation
05567-17185	square 7 mm
05567-18185	square 8 mm
05567-20185	slot
05567-43185	double lug 3 mm
05567-45185	double lug 5 mm
05567-88185	triangle 8 mm

Tongue for quarter-turn lock

Order No.	A for housing length H=18	L
05569-145X	4/6/8/10/12/14/16/18/20/22/24/26/28/30/32/34/36/38/40/42	45
05569-135X	16/18/20/22/24	35

01000
02000
03000
04000
05000
06000
07000
08000
09000
10000
12000