

# Quarter-turn locks



### Material:

Housing, actuator and nut die-cast zinc.  
O-ring NBR, flat seal PUR.  
Tongue steel.

### Version:

Housing and actuator, trivalent passivated or black powder-coated.  
Nut and tongue, electro zinc-plated.

### Sample order:

nIm Quarter-turn lock 05566-17181  
nIm Tongue 05570-145X040 (include tongue gap "A")

### Note:

Quarter-turn lock is vibration-resistant through a detent mechanism in the end position. Right or left mounting with 90° closing and internal rotation limit. The quarter-turn lock can be installed pre-assembled (limitations by small A-dimensions and thick doors). Tested according to DIN EN 60068-2-64 (vibration) and DIN EN 60068-2-27 (shock), test standard 61373. Vibration-proof as per rail applications category 1, class B (highest requirement). The fastening nut has claws allowing it to be used as an earthing nut.

Water and dust proof as per IP65 through O-ring and foamed-on PUR seal.

Order the required tongue version separately. Every tongue can be combined with every housing.

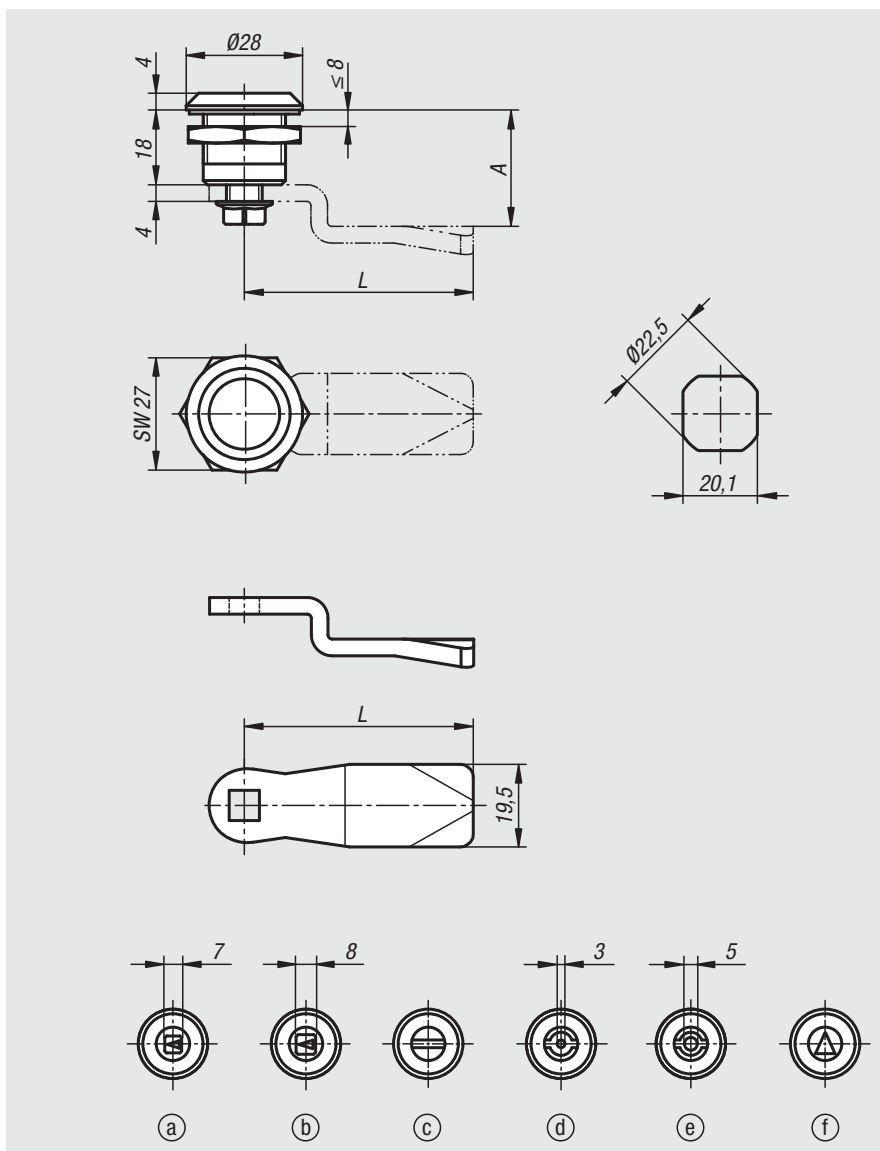
### Accessories:

Lock key 05586

### Drawing reference:

Actuation:

- a) square 7 mm
- b) square 8 mm
- c) slot
- d) double lug 3 mm
- e) double lug 5 mm
- f) triangle 8 mm



## Quarter-turn lock

Order No.	Order No. black	Actuation
05566-17181	05566-17182	square 7 mm
05566-18181	05566-18182	square 8 mm
05566-20181	05566-20182	slot
05566-43181	05566-43182	double lug 3 mm
05566-45181	05566-45182	double lug 5 mm
05566-88181	05566-88182	triangle 8 mm

## Tongue for quarter-turn lock

Order No.	A	L
05570-145X	4/6/8/10/12/14/16/18/20/22/24/26/28/30/32/34/36/38/40/42	45
05570-135X	16/18/20/22/24	35

