

Quarter-turn locks

lockable, stainless steel



Material:

Quarter-turn lock 1.4401 stainless steel.
Tongue 1.4301 stainless steel.

Version:

Bright.

Sample order:

nIm Quarter turn lock 05566-06-18
nIm Tongue 05566-07-450660

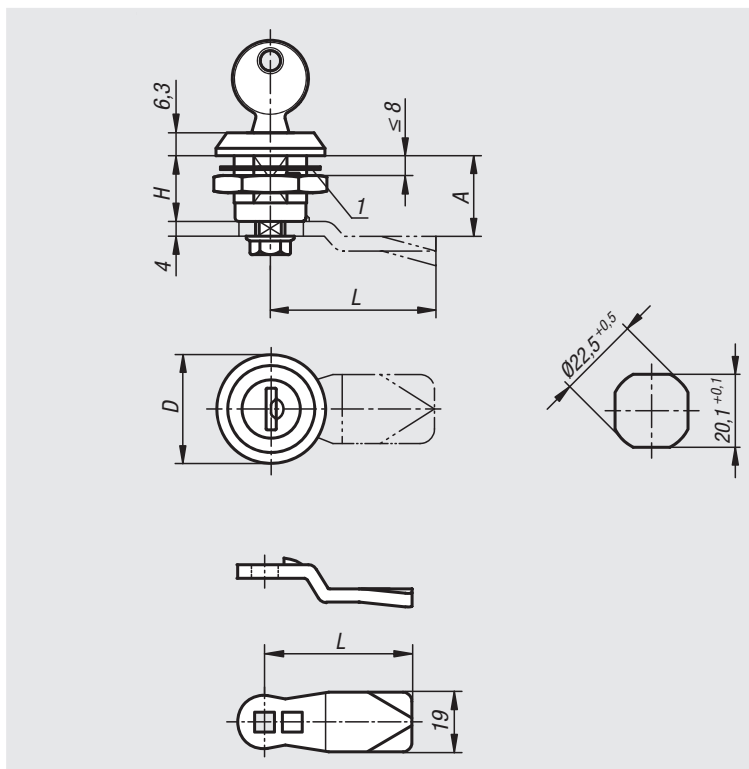
Note:

The quarter turn lock can be installed pre-assembled. Housing with fastening nut and plate cylinder, same key locking, incl. 2 keys (lock type 1333).

Please order required tongue version separately. Every tongue can be combined with every housing.

Drawing reference:

1) flat seal



Quarter-turn lock, lockable, stainless steel

Order No.	Actuation	D	H
05566-06-18	key single-key system	30	18

Tongue for quarter-turn lock

Order No.	A	L
05566-07-45060	6	45
05566-07-45080	8	45
05566-07-45100	10	45
05566-07-45140	14	45
05566-07-45160	16	45
05566-07-45180	18	45
05566-07-45200	20	45
05566-07-45220	22	45
05566-07-45240	24	45
05566-07-45260	26	45
05566-07-45280	28	45
05566-07-45320	32	45
05566-07-45500	50	45

01000
02000
03000
04000
05000
06000
07000
08000
09000
10000
12000