

Quarter-turn locks

stainless steel, small version



Material:

Housing 1.4404 stainless steel.
 Actuation and fastening nut 1.4404 stainless steel.
 Tongue 1.4301 stainless steel.

Version:

Bright.

Sample order:

nIm Quarter turn lock 05566-03-1718
 nIm Tongue 05566-07-450660

Note:

The quarter turn lock can be installed pre-assembled.
 For right or left use. Water and dust protected acc. to IP65 from DIN EN 60529.

Please order required tongue version separately. Every tongue can be combined with every housing.

Accessories:

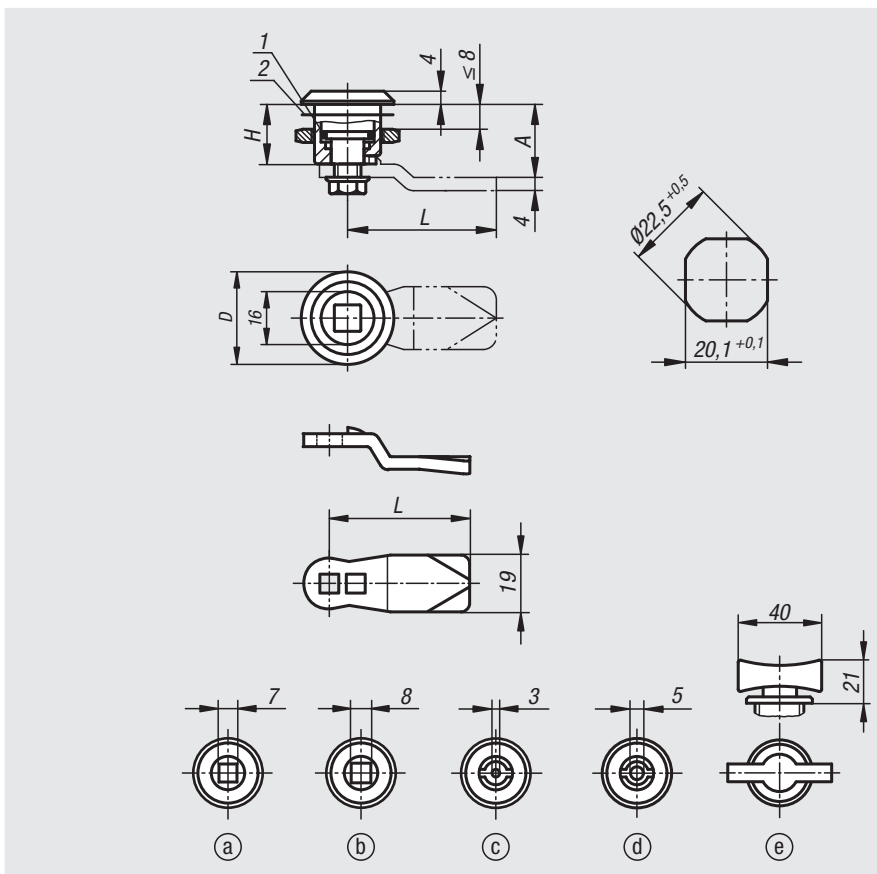
Lock key 05586

Drawing reference:

Actuation:

- a) square 7 mm
- b) square 8 mm
- c) double lug 3 mm
- d) double lug 5 mm
- e) wing grip

- 1) O-ring
- 2) flat seal



Quarter-turn locks, stainless steel, small version

Order No.	Actuation	D	H
05566-03-1718	square 7 mm	28	18
05566-03-1818	square 8 mm	28	18
05566-03-4318	double lug 3 mm	28	18
05566-03-4518	double lug 5 mm	28	18
05566-03-0018	grip	28	18

Tongue for quarter-turn locks

Order No.	A	L
05566-07-45060	6	45
05566-07-45080	8	45
05566-07-45100	10	45
05566-07-45140	14	45
05566-07-45160	16	45
05566-07-45180	18	45
05566-07-45200	20	45
05566-07-45220	22	45
05566-07-45240	24	45
05566-07-45260	26	45
05566-07-45280	28	45
05566-07-45320	32	45
05566-07-45500	50	45

01000 02000 03000 04000 05000 06000 07000 08000 09000 10000 12000