

Quarter-turn locks compact

lockable



Material:

Housing and actuator die-cast zinc.

Nut brass.

Tongue steel.

Key nickel silver.

Version:

Housing and actuator trivalent passivated.

Nut and tongue electro zinc-plated.

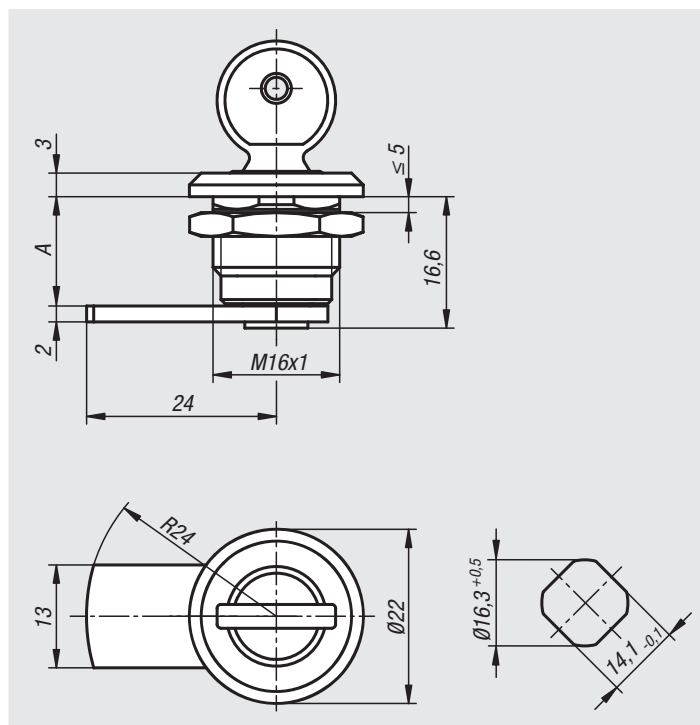
Sample order:

nIm 05564-1135

Note:

Lockable quarter-turn lock, right or left mounting with 90° closing. The quarter-turn lock can be installed pre-assembled.

These lockable quarter-turn locks are supplied with 2 keys. The key can be removed in both positions (open and closed). The cylinder locks have a single-key system i.e. the same key works in all locks (lock type 2233).



Order No.	Actuation	A
05564-1075	key	7,5
05564-1135	key	13,5
05564-1195	key	19,5