

# Quarter-turn locks compact

with wing grip



### Material:

Housing and actuator die-cast zinc.  
Nut brass.  
O-ring NBR, flat seal CR.  
Tongue steel.

### Version:

Housing trivalent passivated.  
Actuator black powder-coated.  
Nut and tongue electro zinc-plated.

### Sample order:

nIm Quarter-turn lock 05562-30132  
nIm Tongue 05563-0124X075 (include tongue gap "A")

### Note:

This quarter-turn lock is vibration-resistant through a detent mechanism in the end position. Right or left mounting with 90° closing and internal rotation limit. The quarter-turn lock can be installed pre-assembled (limitations by small A-dimensions and thick doors).

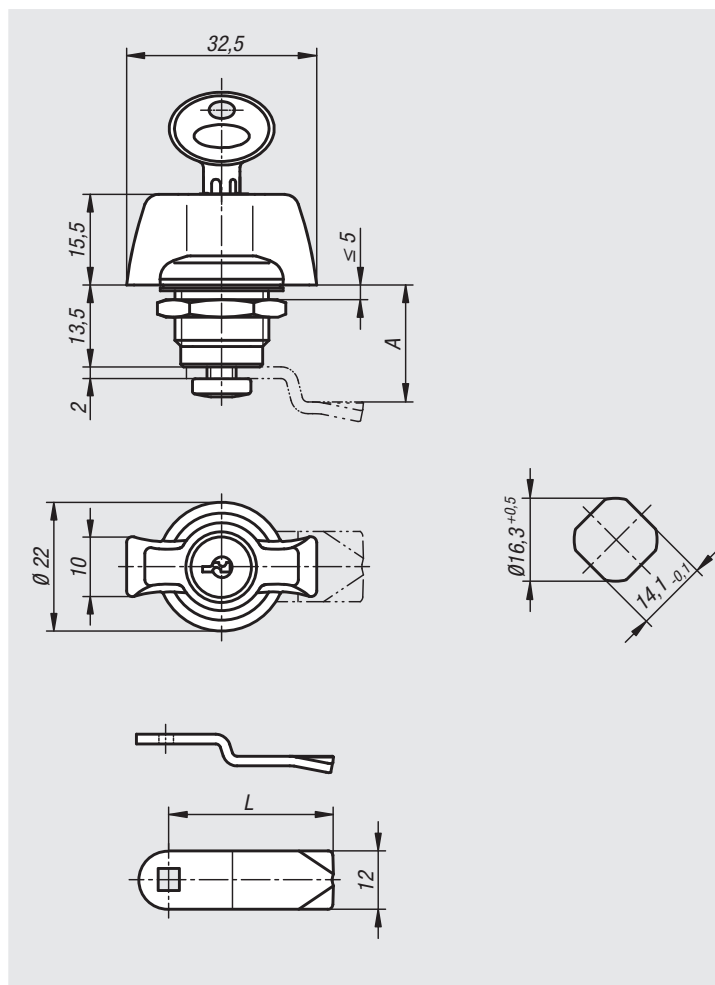
Water and dust proof as per IP65 through O-ring and flat seal.

The lockable quarter-turn locks are supplied with 2 keys. The key can be removed in both positions (opened and closed). The cylinder locks have a single key system i.e. the same key works in all locks (cylinder lock 2233).

Order the required tongue version separately. Every tongue can be combined with every housing.

### Accessories:

Lock key 05586



## Quarter-turn locks compact with wing grip

Order No.	Actuation
05562-30132	grip
05562-31132	lockable grip

## Tongue for quarter-turn lock

Order No.	A	L
05563-0124X	7,5/13,5/19,5	24