

# Quarter-turn locks compact



### Material:

Housing and actuator die-cast zinc.  
Nut brass.  
O-ring NBR, flat seal CR.  
Tongue steel.

### Version:

Housing and actuator, trivalent passivated or black powder-coated.  
Nut and tongue, electro zinc-plated.

### Sample order:

nIm Quarter-turn lock 05561-16131  
nIm Tongue 05563-0124X075 (include tongue gap „A“)

### Note:

This quarter-turn lock is vibration-resistant through a detent mechanism in the end position. Right or left mounting with 90° closing and internal rotation limit. The quarter-turn lock can be installed pre-assembled (limitations by small A-dimensions and thick doors). Tested according to DIN EN 60068-2-64 (vibration) and DIN EN 60068-2-27 (shock), test standard 61373. Vibration-proof as per rail applications category 1, class B requirements (highest requirement).

Water and dust proof as per IP65 through O-ring and flat seal.

Order the required tongue version separately. Every tongue can be combined with every housing.

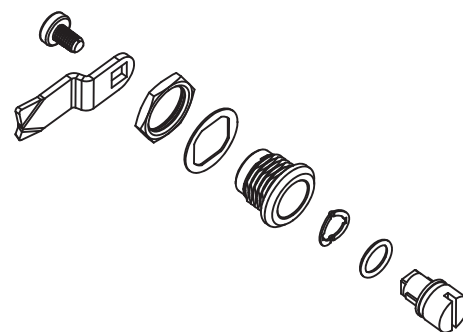
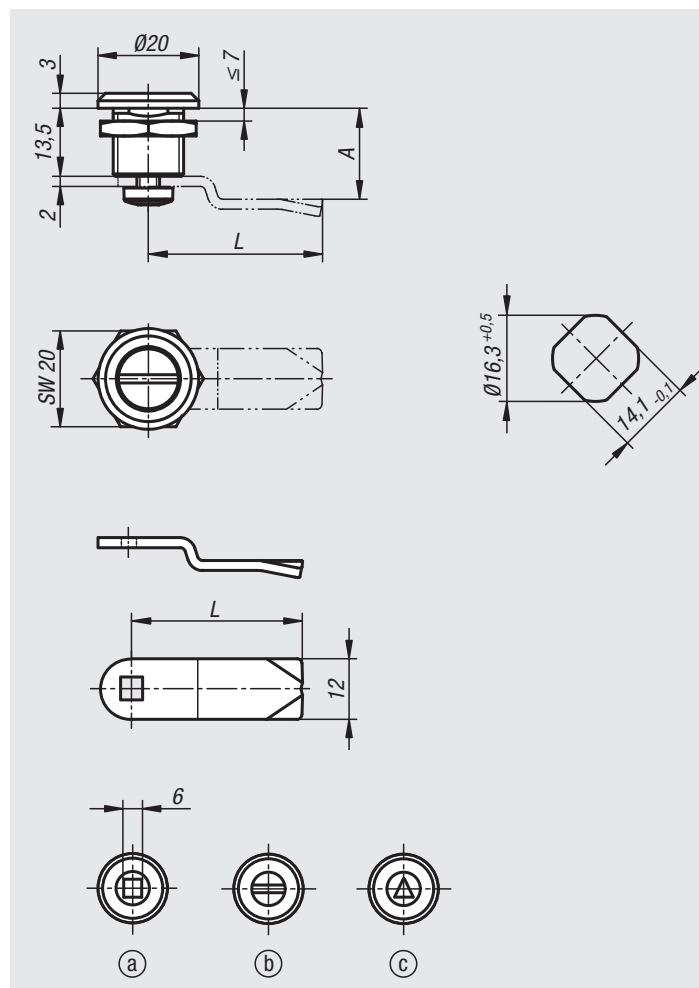
### Accessories:

Lock key 05586

### Drawing reference:

Actuation:

- a) square 6 mm
- b) slot
- c) triangle 6,5 mm



## Quarter-turn locks compact

Order No. silver	Order No. black	Actuation
05561-16131	05561-16132	square 6 mm
05561-20131	05561-20132	slot
05561-86131	05561-86132	triangle 6.5 mm

## Tongue for quarter-turn lock

Order No.	A	L
05563-0124X	7,5/13,5/19,5	24