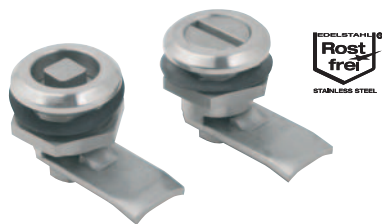


Quarter-turn lock, stainless steel


Material:

Quarter-turn lock 1.4401 stainless steel.
Tongue 1.4301 stainless steel.

Version:

Bright.

Sample order:

nIm 05561-02-1613

Note:

The lock can be installed pre-assembled and has a 90° closing angle.
It is protected against water and dust according to IP65 of EN 60529.

Accessories:

Lock key 05586

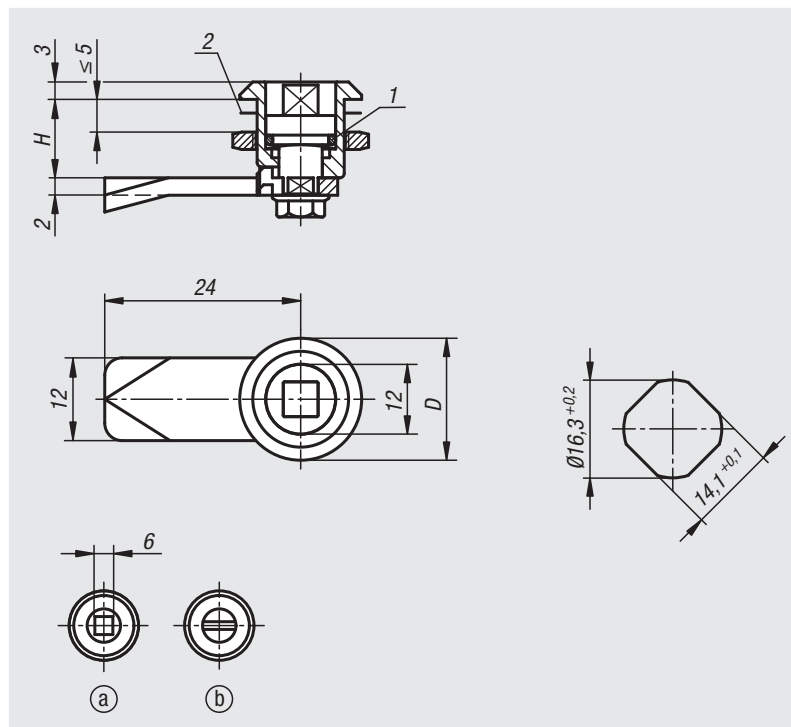
Drawing reference:

Actuation:

- a) square 6 mm
- b) slot

1) O-ring

2) flat seal



Order No.	Actuation	D	H
05561-02-1613	square 6 mm	20	13,5
05561-02-2013	slot	20	13,5