

Adjustable latches

heavy-duty version



Material:

Steel.

Version:

Trivalent blue passivated.
Catch plate Form B (weldable), bright.

Sample order:

nIm 05560-1702041 Latch
nIm 05560-91851201 Catch plate

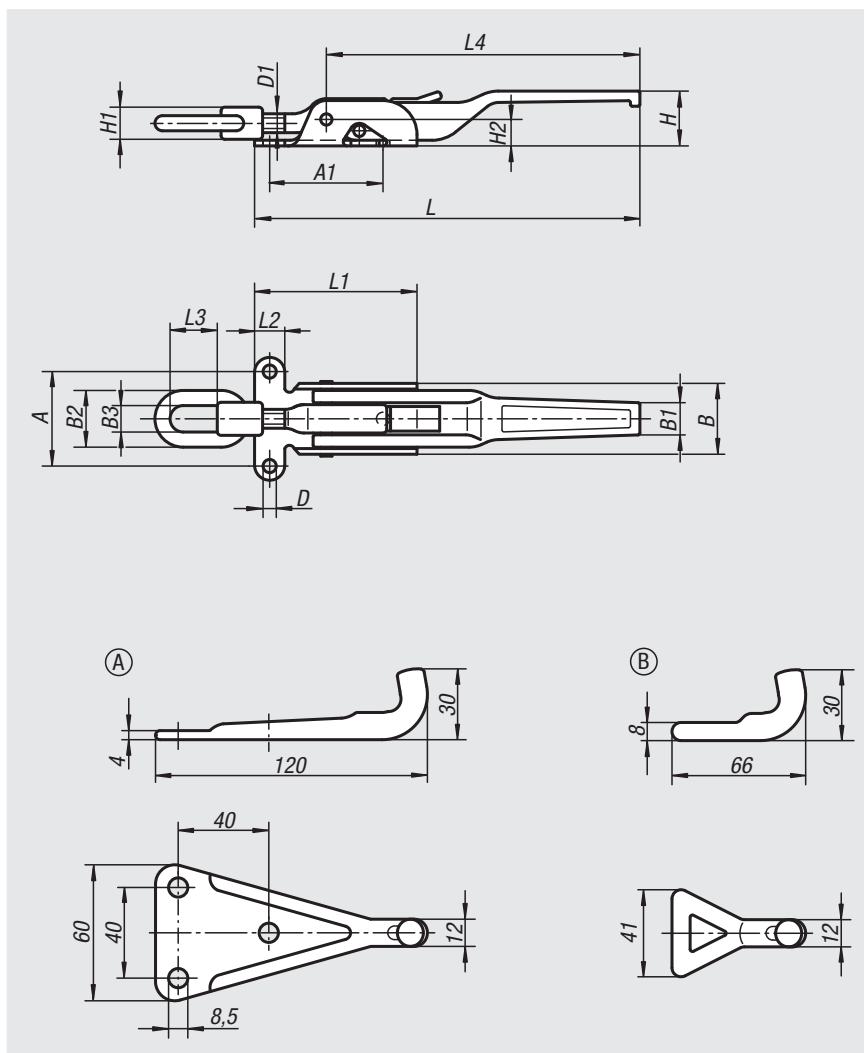
Note:

Heavy-duty forged latches for high tensile loads. Primarily used on utility vehicles, agricultural and construction machinery. A ratchet prevents unintentional opening when closed.

To compensate for tolerances or to create enough tension the bail can be adjusted using the spindle D1.

Order required catch plate version separately.

The retaining force F1 applies to the latch, not the catch plate.



Latches adjustable, heavy-duty version

Order No.	A	A1	B	B1	B2	B3	D	D1	H	H1	H2	L	L1	L2	L3	L4	Retaining force F1 N
05560-1702041	49	62	37	18	30	14	7	M10	30	17	14	204	86	16	25	165	20000
05560-1852371	65	82	50	20	36	15	8,5	M14x1,5	32	20	18	237	104	21	40	190	30500

Catch plates

Order No.	Form
05560-91851201	A
05560-92000601	B