

# Latches adjustable


**Material:**

Steel or stainless steel 1.4301.

**Version:**

Steel trivalent blue passivated.  
Stainless steel bright.

**Sample order:**

nIm 05552-1611451 Latch

nIm 05552-9143381 Catch plate

**Note:**

Adjustable latches are secure locking systems for industrial applications. By exceeding the dead center they resist vibration.

After the bail engages with the catch plate, the parts to be locked can be drawn together by up to 15 mm by pushing the lever down. To compensate for tolerances or to create enough tension the bail length can be adjusted using the M8 spindle.

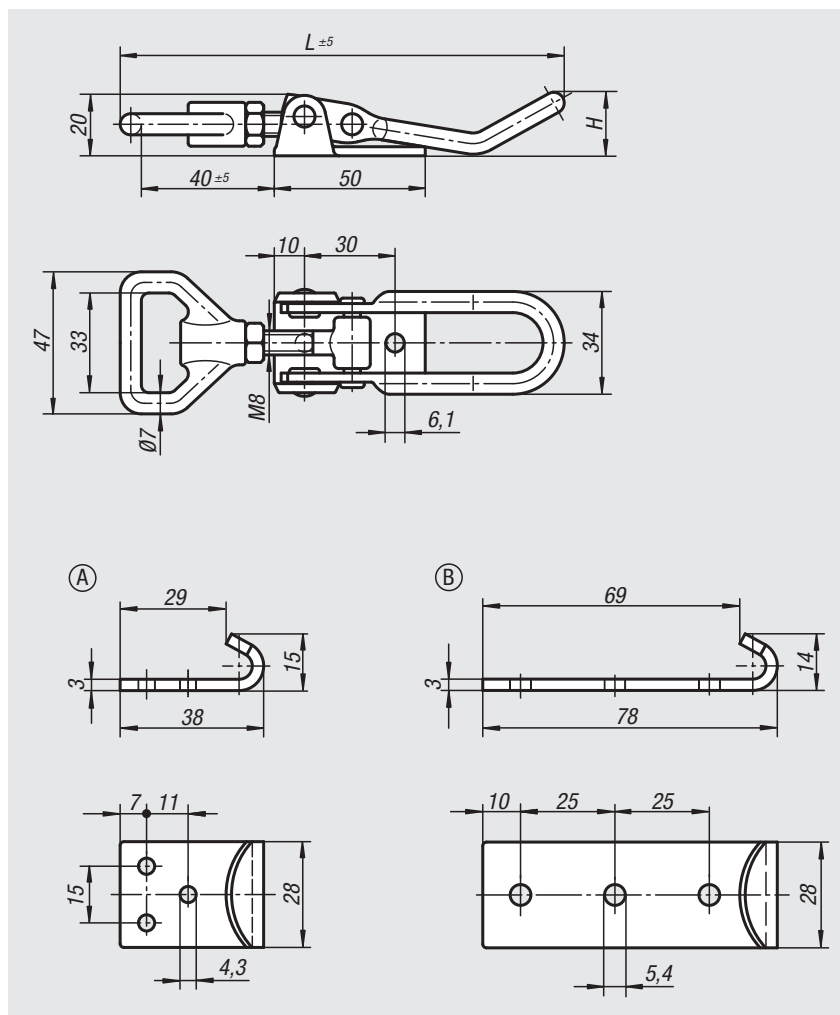
The latches can be screwed down or riveted. We recommend using countersunk screws for fastening the components.

Order the required catch plate version separately.

The retaining force F1 applies to the latch, not the catch plate.

**On request:**

Lockable version with padlock bracket.



## Latches adjustable

Order No. steel	Order No. stainless steel	H	L	Retaining force F1 N
05552-1611451	05552-1611452	21	145	6500
05552-1611681	05552-1611682	36	168	6500

## Catch plates

Order No. steel	Order No. stainless steel	Form
05552-9143381	05552-9143382	A
05552-9254781	05552-9254782	B