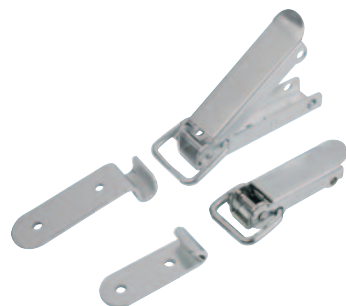


Latches

with draw bail



Material:

Steel or stainless steel 1.4301.

Version:

Electro zinc-plated, thick-film passivated and top coat sealed.

Stainless steel, bright.

Sample order:

nIm 05536-1520871 Latch
nIm 05536-91520601 Catch plate

Note:

Latches with draw bail for securing and locking hatches, container lids, machine cladding etc. By exceeding the dead centre they resist vibration.

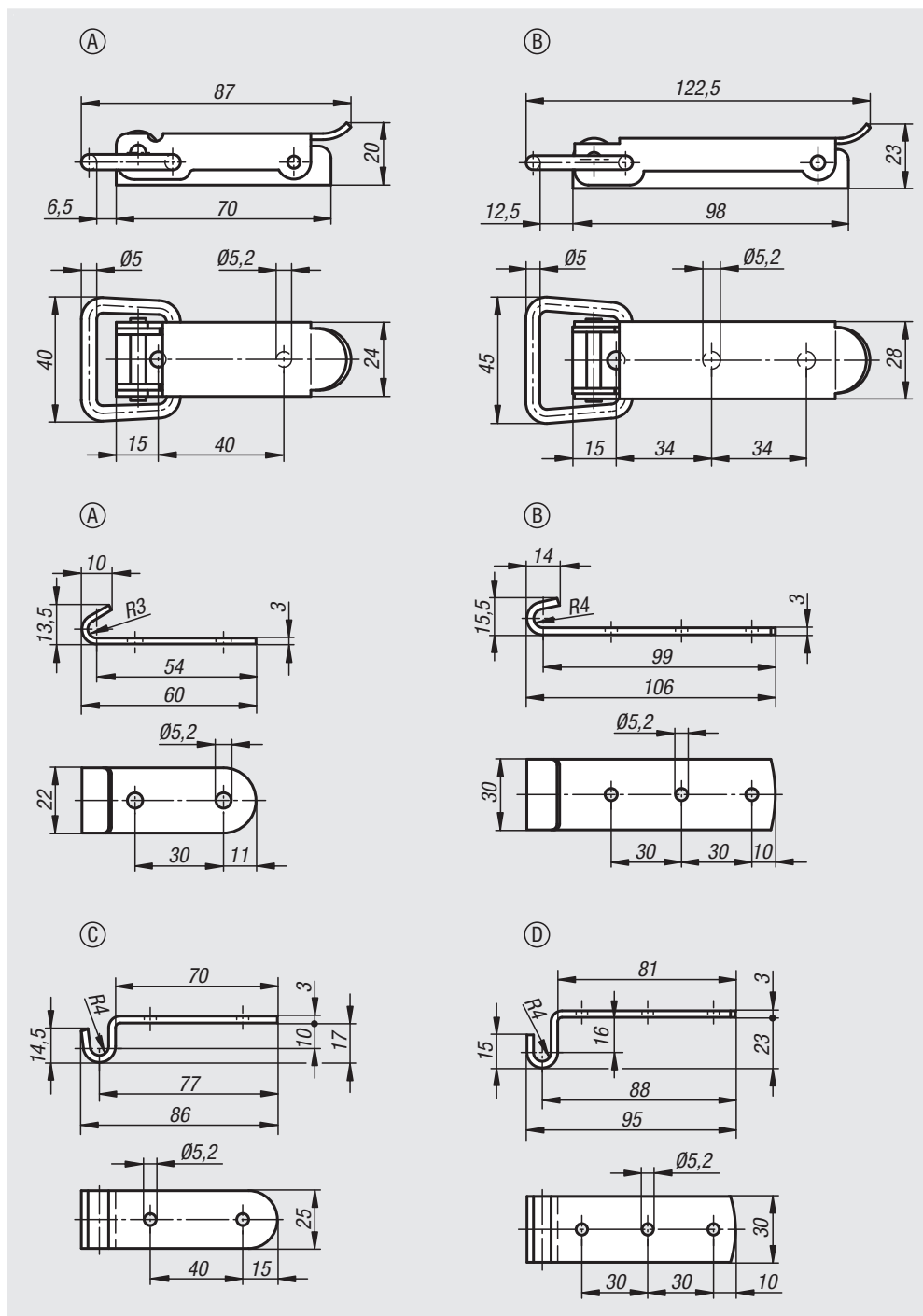
The locking force is applied by drawing on the bail.

The latches can be screwed down or riveted. We recommend using countersunk screws for fastening the components.

Order catch plates separately.

On request:

Lockable version with padlock bracket.



Latches with draw bail

Order No. steel	Order No. stainless steel	Form
05536-1520871	05536-1520872	A
05536-2521221	05536-2521222	B

Catch plate

Order No. steel	Order No. stainless steel	Form
05536-91520601	05536-91520602	A
05536-92521061	05536-92521062	B
05536-93520861	05536-93520862	C
05536-94520951	05536-94520952	D