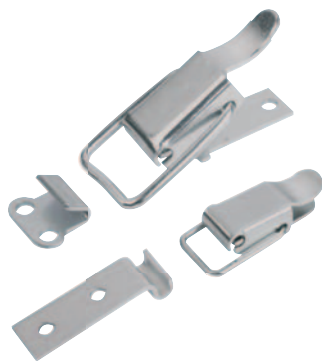


Latches

with draw bail



Material:

Steel or stainless steel 1.4301.

Version:

Electro zinc-plated, thick-film passivated and top coat sealed.

Stainless steel, bright.

Sample order:

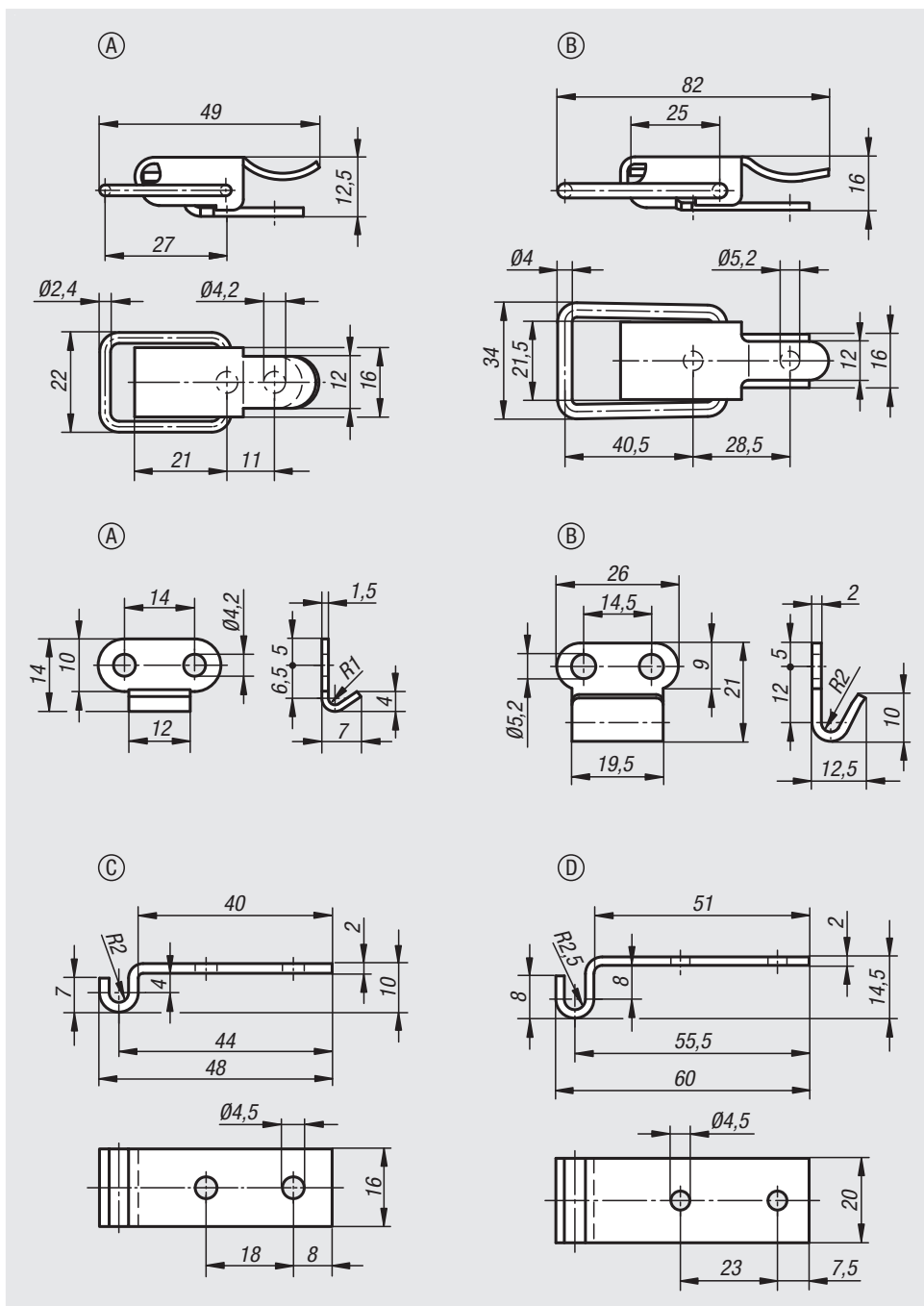
nIm 05531-1420491 Latch
nIm 05531-92520211 Catch plate

Note:

Latches with draw bail for securing and locking hatches, container lids, machine cladding etc. By exceeding the dead centre they resist vibration. The locking force is applied by drawing on the bail.

The latches can be screwed down or riveted. We recommend using countersunk screws for fastening the components.

Order catch plates separately.



Latches with draw bail

Order No. steel	Order No. stainless steel	Form	Retaining force F1 N
05531-1420491	05531-1420492	A	250
05531-2520821	05531-2520822	B	300

Catch plate

Order No. steel	Order No. stainless steel	Form
05526-91420141	05526-91420142	A
05531-92520211	05531-92520212	B
05531-93450481	05531-93450482	C
05531-94450601	05531-94450602	D

01000
02000
03000
04000
05000
06000
07000
08000
09000
10000
12000